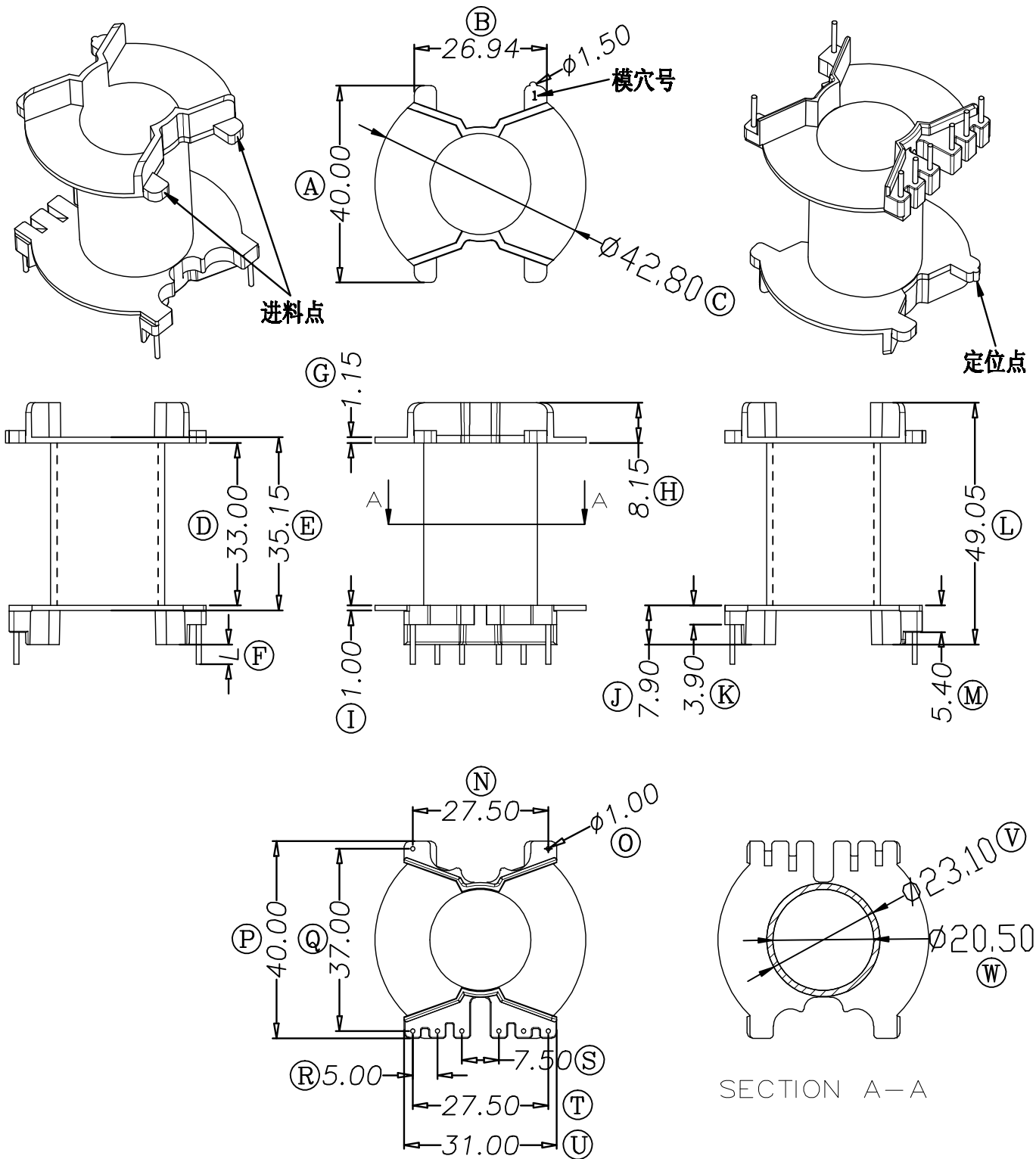


# ZX-50F



REV.	REVISIONS REC.	DATE	REV.	REVISIONS REC.	DATE
1			4		
2			5		
3			6		
DRAWN & DRAFTED BY		TOLERANCES		TITLE: PQ-5049 (2+6P)	
CHECKED & APPROVED BY		ANGLE: $\pm 1^\circ$		BOBBIN MATERIAL: PHENOLIC	
LI QI YI		UNIT: mm		UL REC. UL 94V-0	
智信电子塑胶有限公司		SCALE:		PIN MATERIAL: CP WIRE	
ZHI XIN ELECTRONICS PLASTIC CO., LTD.		DATE: 2019. 11. 25		PIN TENSION LOAD: 1.5KG MIN	
TEL: 0769-86389901-2 FAX: 0769-86389903		DRAWING NO. ZX-50F		REV. A01	