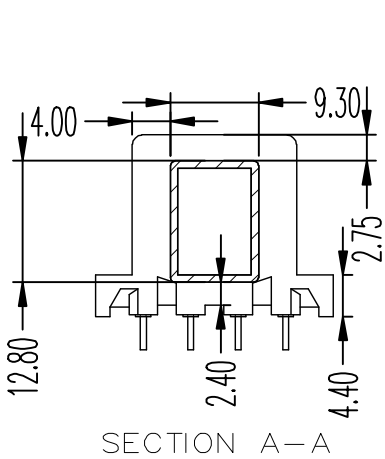
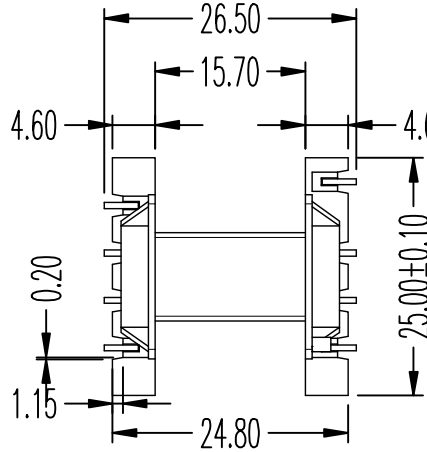


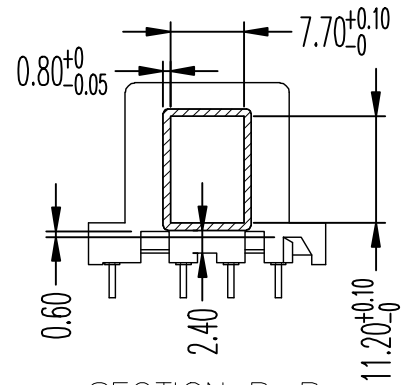
# ZX-25BQ



SECTION A-A



SECTION B-B



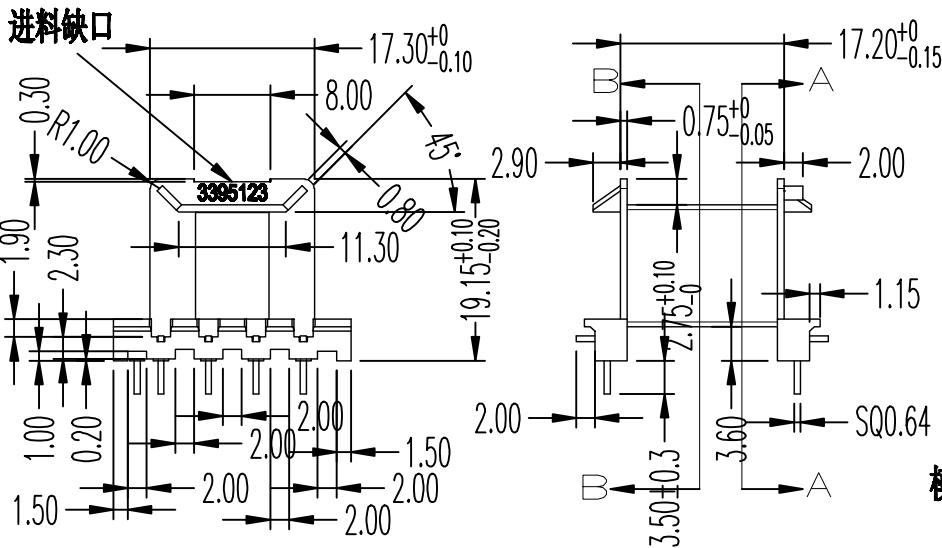
## 1) LETTERS

**PIN 1 side: "OSRAM"**

**Opposite side: "3395123"**

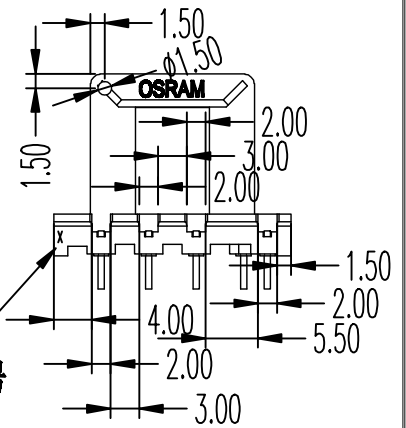
**each erected 0.2 mm,**

**front height 2.0 mm, centered**

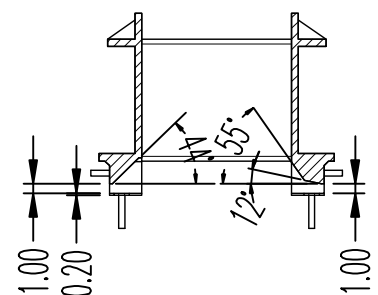
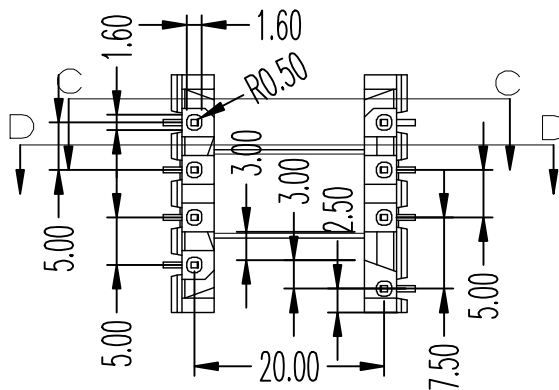
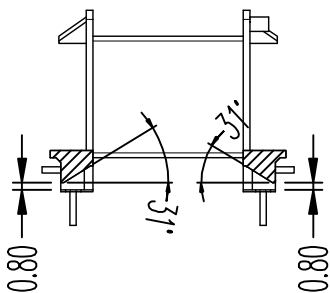


SECTION C-C

模穴号



SECTION D-D



REV.	REVISIONS	REC.	DATE	REV.	REVISIONS	REC.	DATE
1				4			
2				5			
3				6			

DRAWN & DRAFTED BY **LIU WEI QIANG**  
 CHECKED & APPROVED BY **LIN JUN**

dimension > 0 - 1 ±0.08mm  
 > 1 - 3 ±0.08mm  
 > 3 - 6 ±0.10mm  
 > 6 - 10 ±0.11mm  
 > 10 - 15 ±0.12mm  
 > 15 - 25 ±0.13mm  
 > 25 - 30 ±0.17mm  
 > 30 - 40 ±0.20mm  
 > 40 - 50 ±0.24mm  
 > 50 - 100 ±0.30mm

General tolerances:  
 pin pitch ±0.2

ANGLE: ±1°  
 UNIT: MM  
 SCALE:  
 TITLE: EF-25(4+4P)  
 BOBBIN MATERIAL: FR530黑色  
 PIN MATERIAL: CP WIRE  
 UL REC. UL 94V-0  
 PIN TENSION LOAD: 1.0KG MIN

**ZXE** 智信电子塑胶有限公司  
 ZHI XIN ELECTRONICS PLASTIC CO., LTD.  
 TEL:0769-86389901-2 FAX:0769-86389903

DATE: 2019.11.05  
 DRAWING NO. ZX-25BQ  
 REV. A01