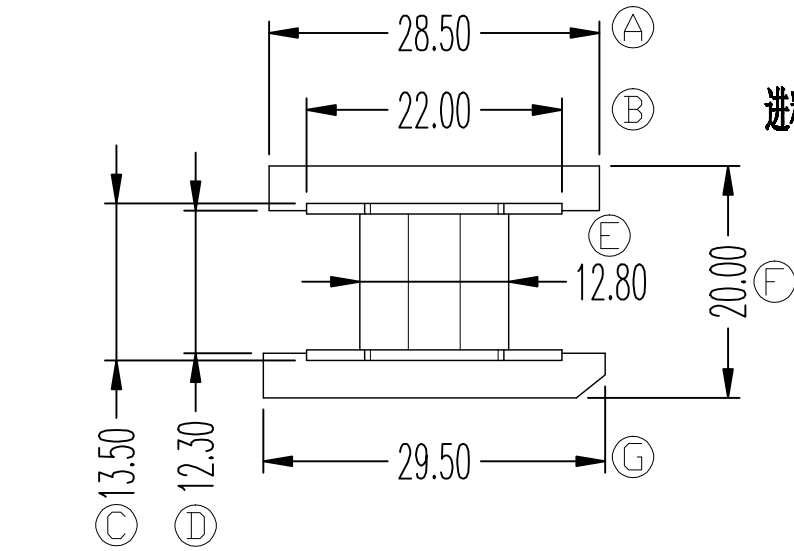
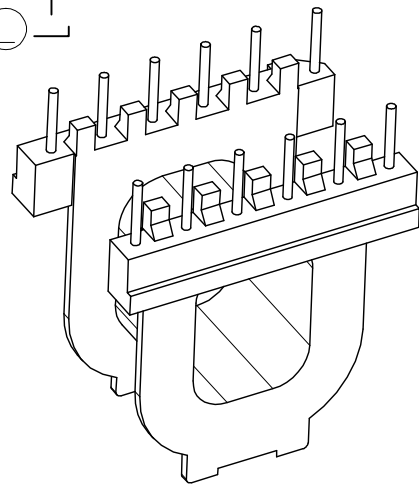
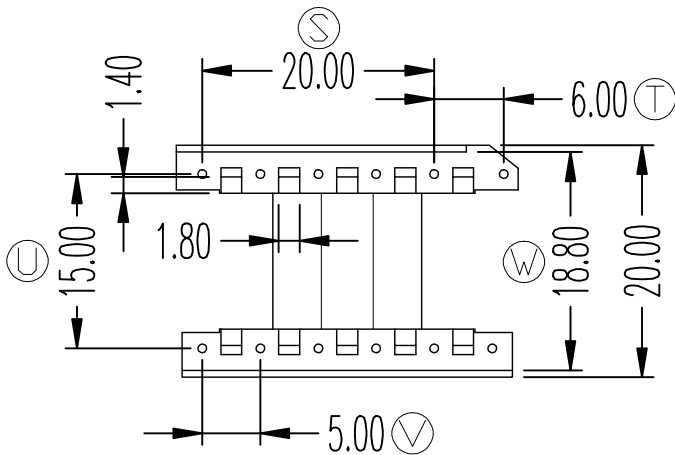
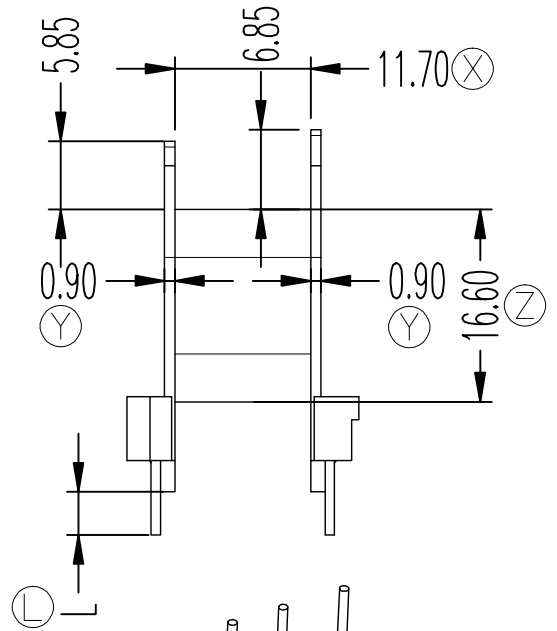
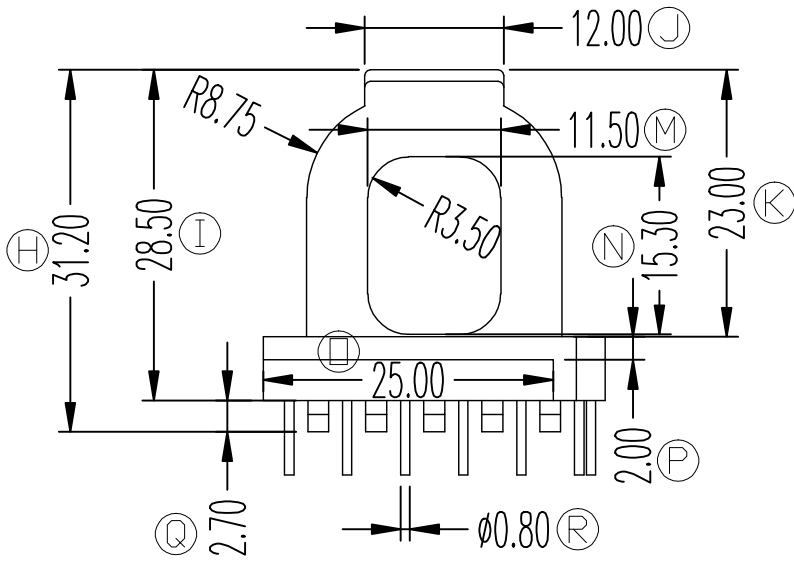
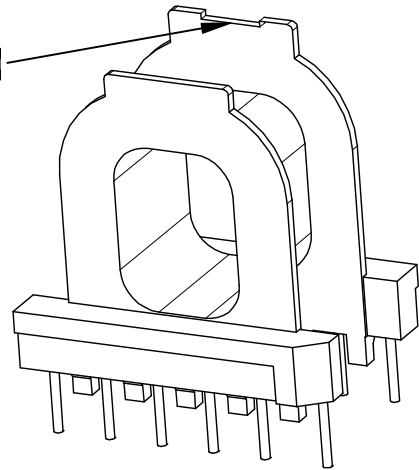


ZX-29K



进料缺口



REV.	REVISIONS	REC.	DATE	REV.	REVISIONS	REC.	DATE
1				4			
2				5			
3				6			
DRAWN & DRAFTED BY	LIU WEI QIANG		TOLERANCES	ANGLE:	TITLE: ATQ-29(6+6P)		
CHECKED & APPROVED BY	LIN JUN		$0 < L \leq 4 \pm 0.1$ $4 < L \leq 16 \pm 0.2$ $16 < L \leq 63 \pm 0.3$	$\pm 1^\circ$ UNIT: MM	BOBBIN MATERIAL: PM-9823	UL REC. UL 94V-0	
智信电子塑胶有限公司 ZHI XIN ELECTRONICS PLASTIC CO., LTD. TEL: 0769-86389901-2 FAX: 0769-86389903				SCALE:	PIN MATERIAL: CP WIRE	PIN TENSION LOAD: 1.0KG MIN	
				DATE: 2019.10.24	DRAWING NO. ZX-29K	REV. A01	