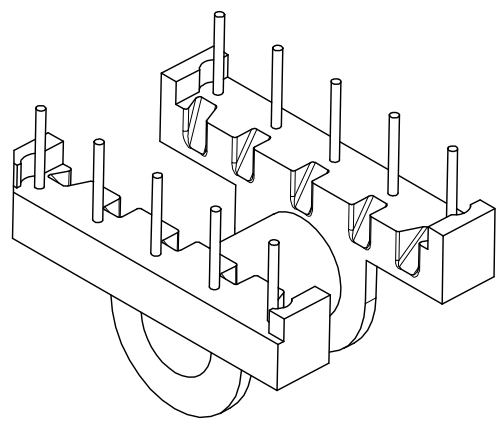
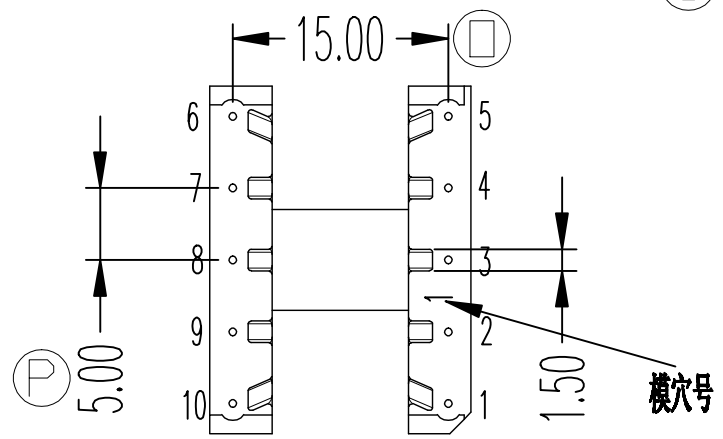
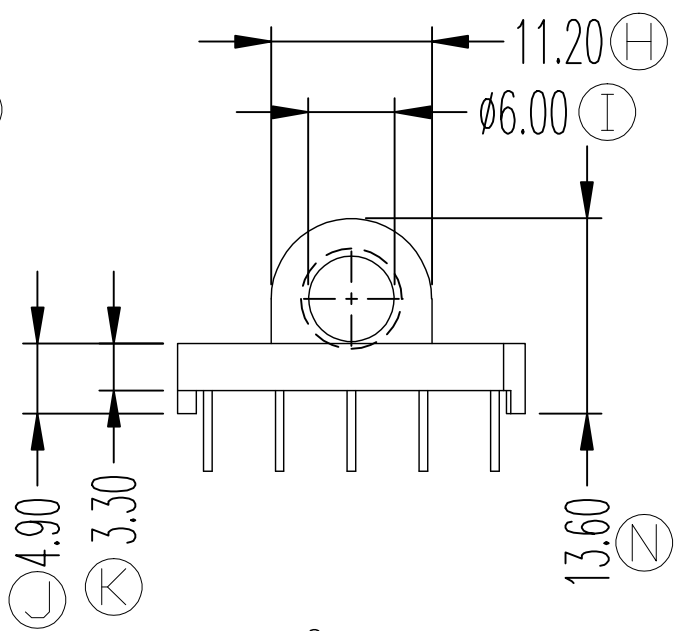
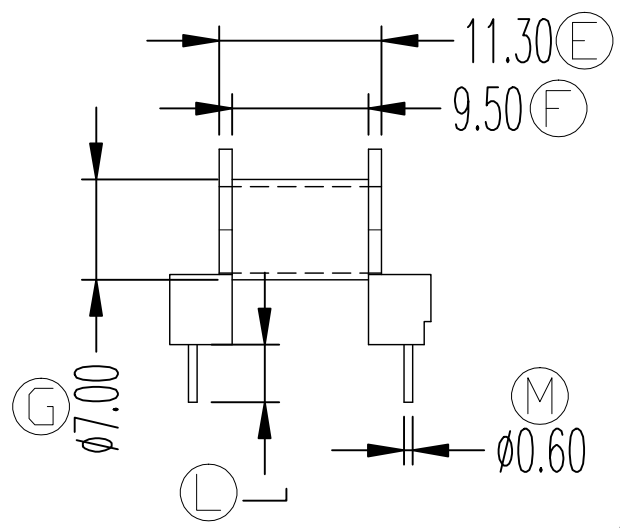
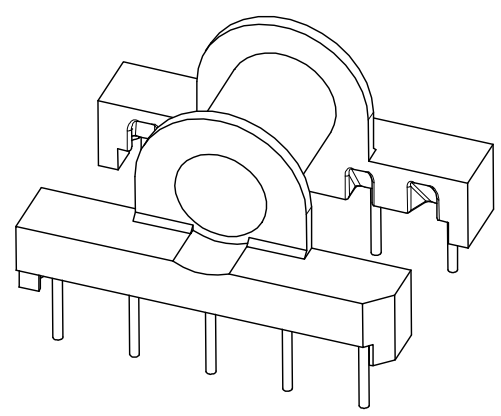
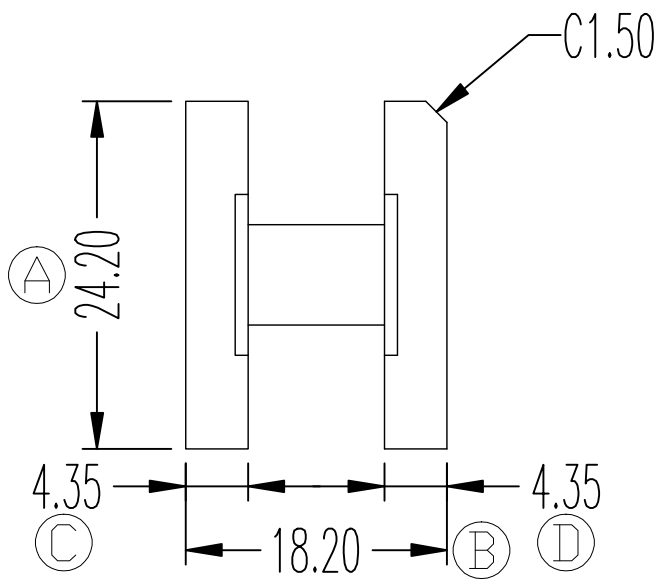


ZX-17J



REV.	REVISIONS	REC.	DATE	REV.	REVISIONS	REC.	DATE
1				4			
2				5			
3				6			
DRAWN & DRAFTED BY	LIU WEI QIANG		TOLERANCES	ANGLE:	TITLE: EP-17(5+5P)		
CHECKED & APPROVED BY	ZHANG YONG		0<L≤4 ±0.1 4<L≤16 ±0.2 16<L≤63 ±0.3	±1°	BOBBIN MATERIAL:	PHENOLIC	UL REC. UL 94V-0
智信电子塑胶有限公司			pin pitch ±0.2	UNIT:	MM	PIN MATERIAL:	CP WIRE
ZXE ZHI XIN ELECTRONICS PLASTIC CO., LTD.				SCALE:		PIN TENSION LOAD:	1.0KG MIN
TEL:0769-86389901-2 FAX:0769-86389903					DATE:	2019.06.27	DRAWING NO. ZX-17J
							REV. A01