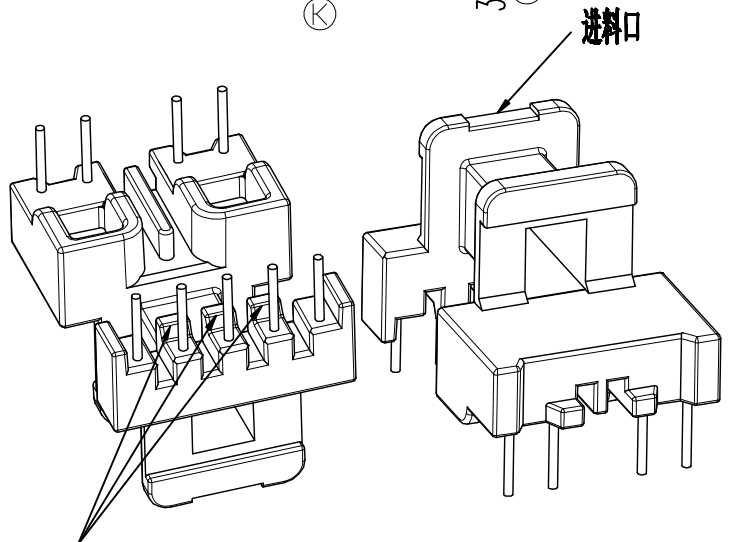
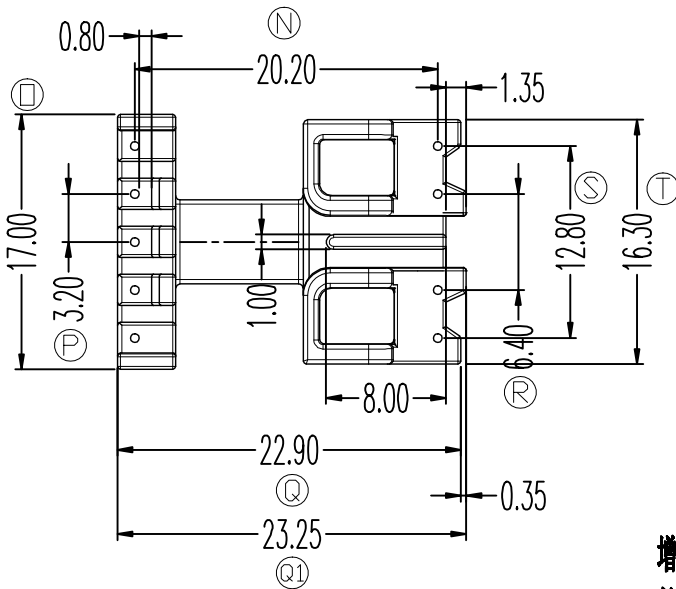
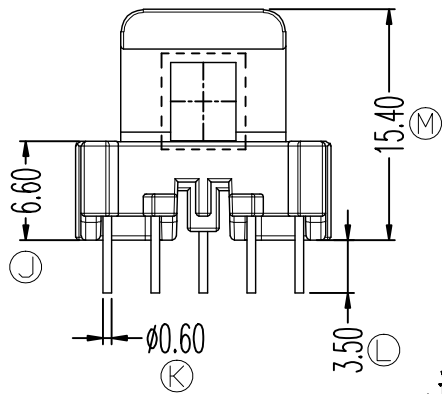
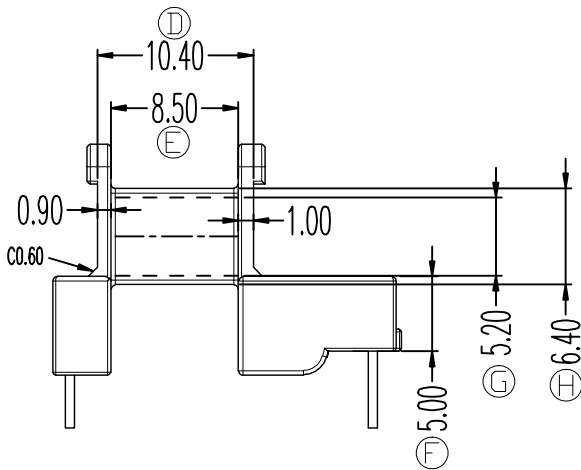
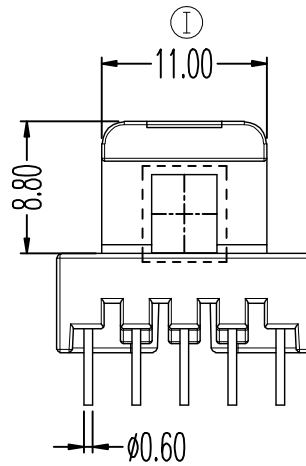
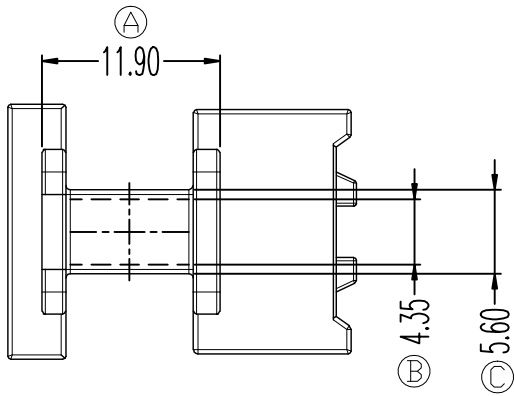


# ZX-16CG



增加3个支点, 高1.0MM,  
长2.1MM, 宽1.6MM

REV.	REVISIONS	REC.	DATE	REV.	REVISIONS	REC.	DATE
1	增加3个支点, 高1.0MM, 长2.1MM, 宽1.6MM		2019.08.13	4			
2				5			
3				6			
DRAWN & DRAFTED BY		LIU WEI QIANG		TOLERANCES		ANGLE: $\pm 1^\circ$	
CHECKED & APPROVED BY		ZHANG YONG		$0 < L \leq 4 \pm 0.1$ $4 < L \leq 16 \pm 0.2$ $16 < L \leq 63 \pm 0.3$		pin pitch $\pm 0.2$ UNIT: MM SCALE:	
TITLE:		EE-16(4+5P)		BOBBIN MATERIAL:		PHENOLIC	
PIN MATERIAL:		CP WIRE		UL REC.		UL 94V-0	
DATE:		2019.08.13		DRAWING NO.		ZX-16CG	
REV. A02				PIN TENSION LOAD:		1.0KG MIN	