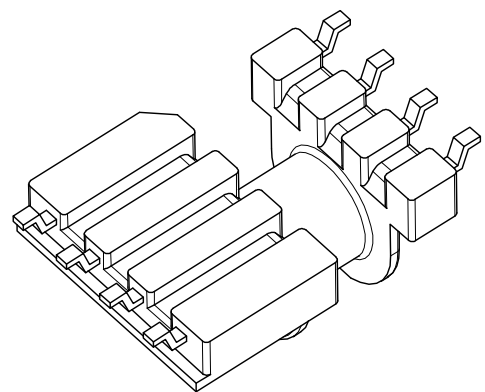
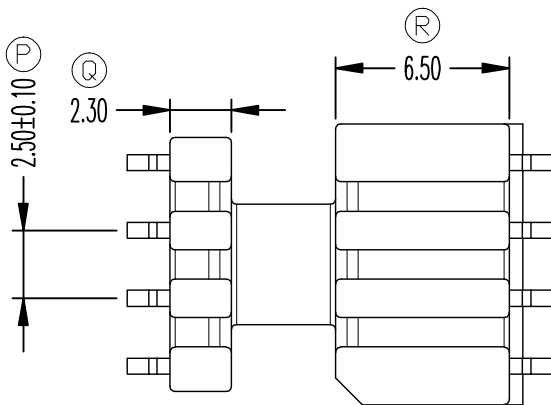
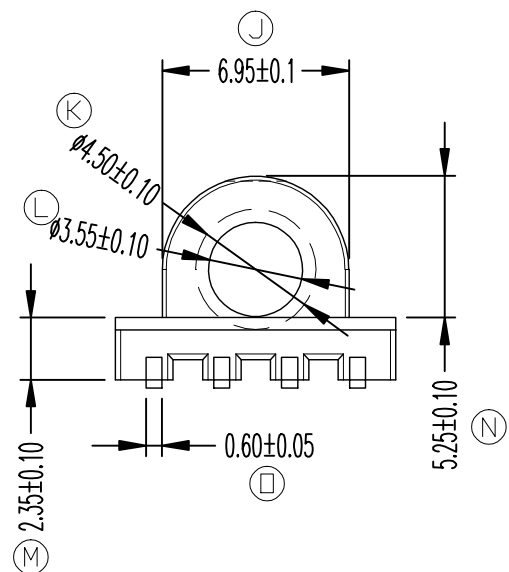
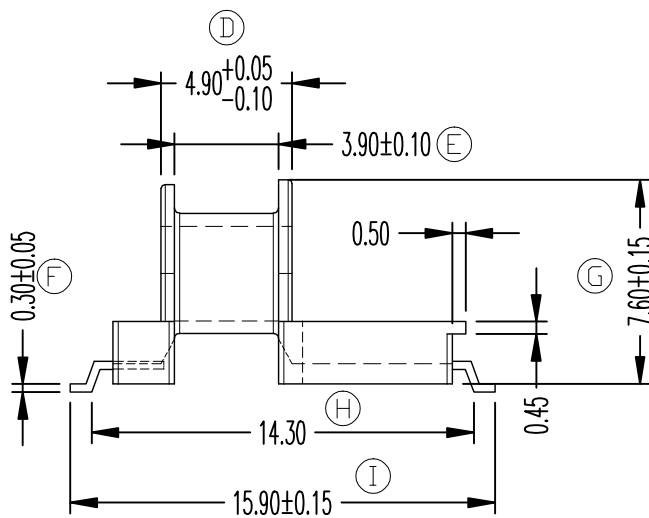
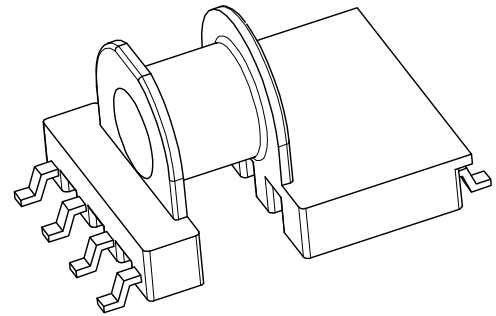
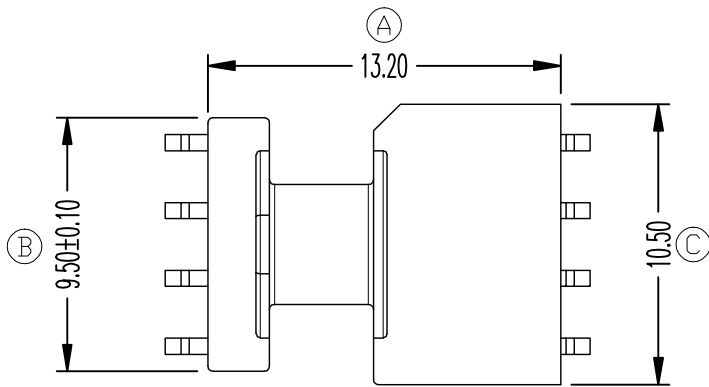


# ZXS-7G



REV.	REVISIONS REC.		DATE	REV.	REVISIONS REC.		DATE
1				4			
2				5			
3				6			
DRAWN & DRAFTED BY		LIU WEI QIANG	TOLERANCES		ANGLE:	TITLE:	
CHECKED & APPROVED BY		LI QI YI	0<L≤4 ±0.1	pin pitch ±0.2	±1°	EP-7(8P)	
			4<L≤16 ±0.2		UNIT:	BOBBIN MATERIAL:	UL REC.
			16<L≤63 ±0.3	MM	PM-9630	UL 94V-0	
				SCALE:	PIN MATERIAL:	PIN TENSION LOAD:	
					PB WIRE	1.0KG MIN	
					DATE:	DRAWING NO.	REV.
					2019.05.20	ZXS-7G	A01



**智信电子塑胶有限公司**

ZHI XIN ELECTRONICS PLASTIC CO., LTD.  
TEL:0769-86389901-2 FAX:0769-86389903

