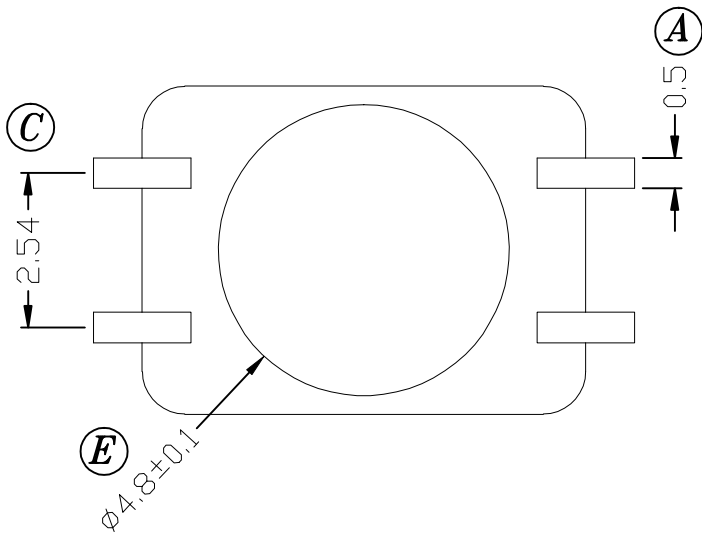
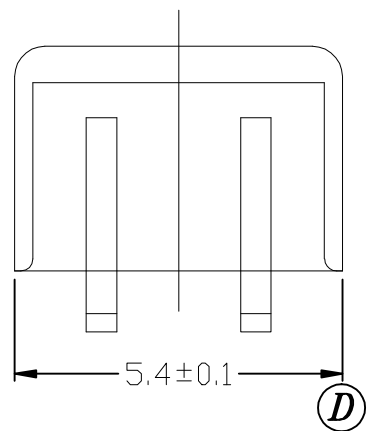
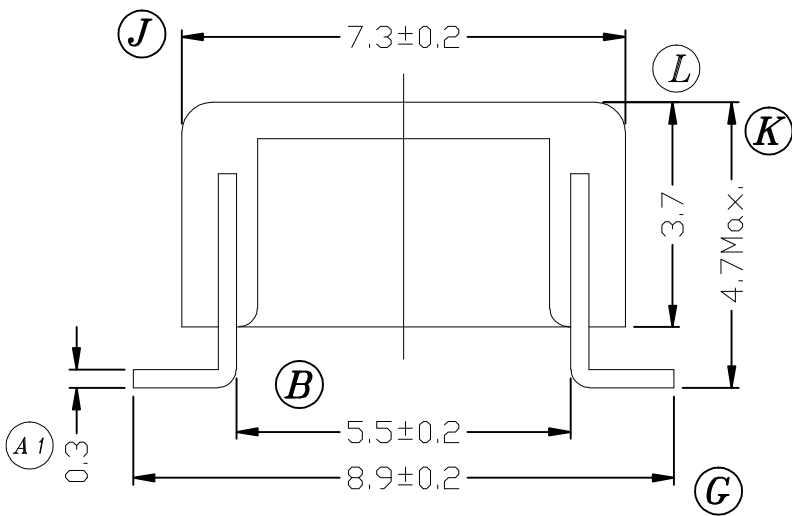
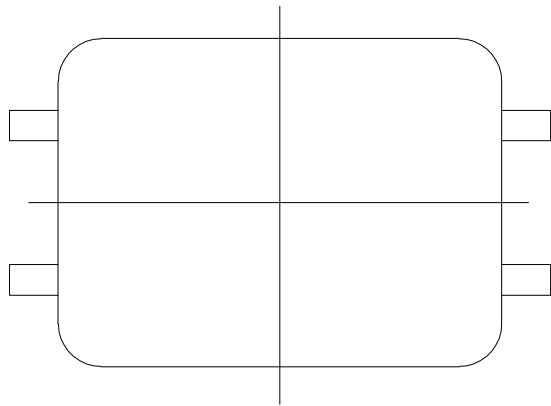


ZX-C075



REV.	REVISIONS	REC.	DATE	REV.	REVISIONS	REC.	DATE		
1				4					
2				5					
3				6					
DRAWN & DRAFTED BY		LIU WEI QIANG		TOLERANCES		ANGLE: ±1°		TITLE: CASE	
CHECKED & APPROVED BY		LIN JUN		0<L≤4 ±0.1 4<L≤16 ±0.2 16<L≤63 ±0.3		pin pitch ±0.2		UNIT: MM	
智信电子塑胶有限公司				SCALE:		PIN MATERIAL: 磷青铜		BOBBIN MATERIAL: PM-9630	
ZXE ZHI XIN ELECTRONICS PLASTIC CO., LTD.				DATE: 2019.05.16		DRAWING NO. ZX-C075		UL REC. UL 94V-0	
TEL:0769-86389901-2 FAX:0769-86389903				DATE: 2019.05.16		DRAWING NO. ZX-C075		PIN TENSION LOAD: 0.8KG MIN	
				DATE: 2019.05.16		DRAWING NO. ZX-C075		REV. A01	