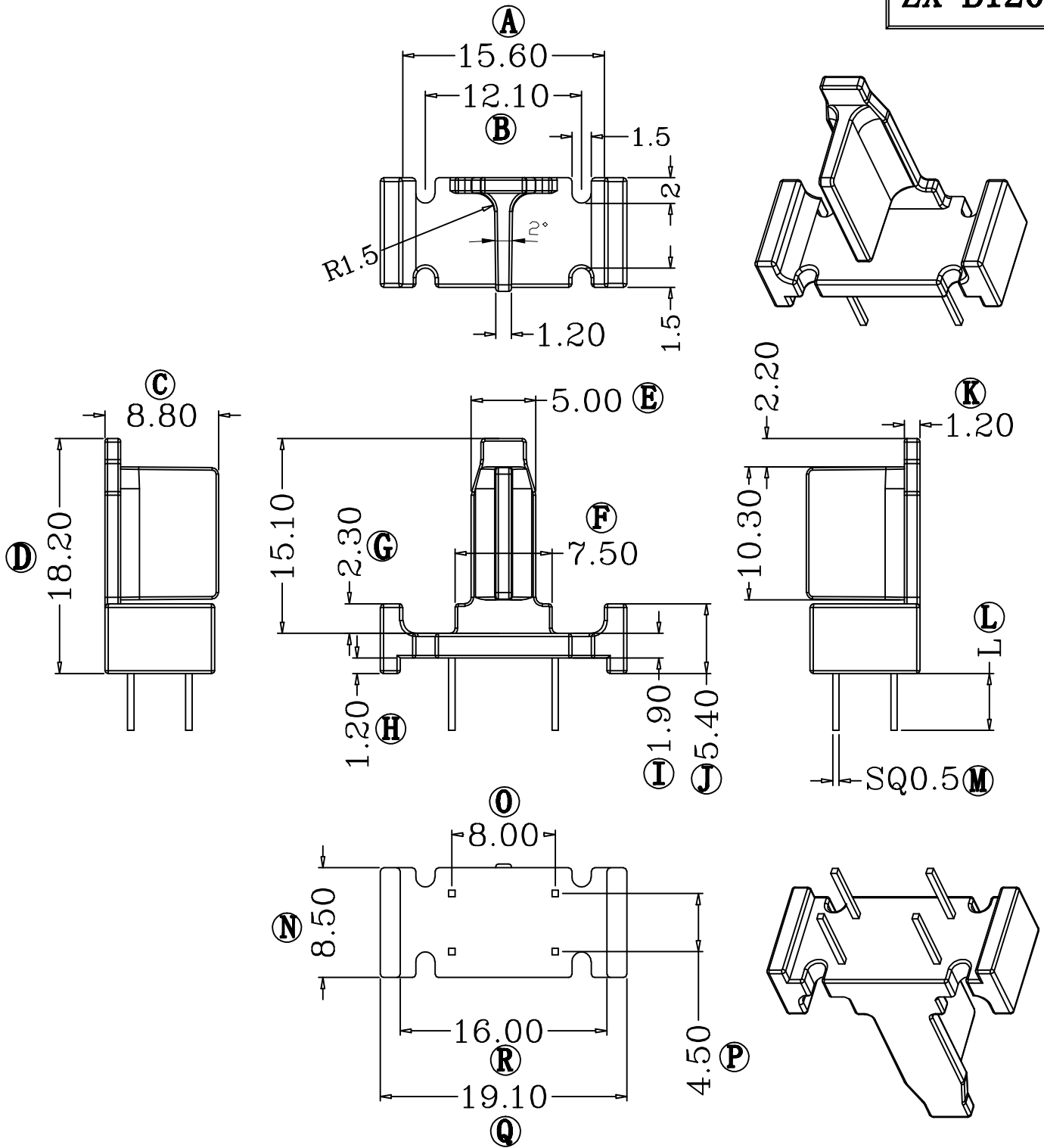


ZX-B120



REV.	REVISIONS REC.	DATE	REV.	REVISIONS REC.	DATE
1			4		
2			5		
3			6		
DRAWN & DRAFTED BY LIN JUN		TOLERANCES		TITLE: SQ-1515-8.0*4.5(2+2P)	
CHECKED & APPROVED BY PENG JIAN WEI		0<L<4 ±0.1 pin pitch	ANGLE: ±1°	BOBBIN MATERIAL: PHENOLIC	
		4<L<16 ±0.2	UNIT: MM	UL REC. UL 94V-0	
		16<L<63 ±0.3 ±0.2	SCALE:	PIN MATERIAL: CP WIRE	
智信电子塑胶有限公司 ZHI XIN ELECTRONICS PLASTIC CO., LTD. TEL:0769-86389901-2 FAX:0769-86389903		DATE: 2019.11.23		DRAWING NO. ZX-B120 REV. A01	