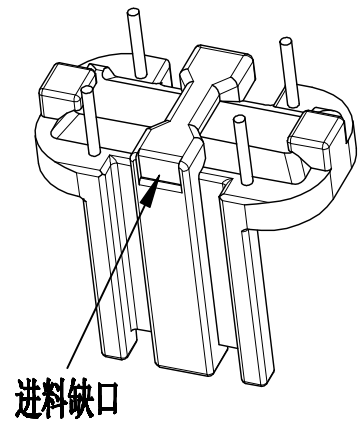
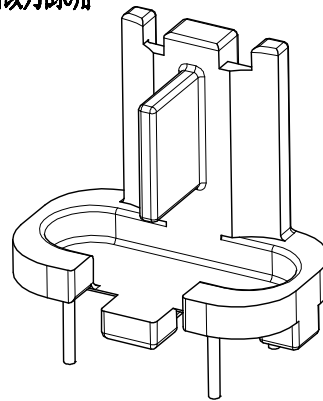
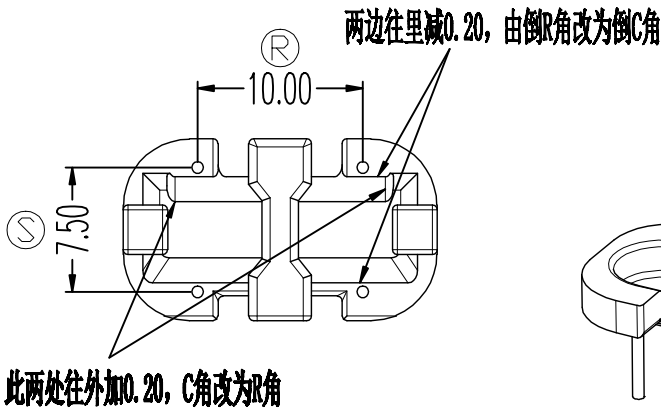
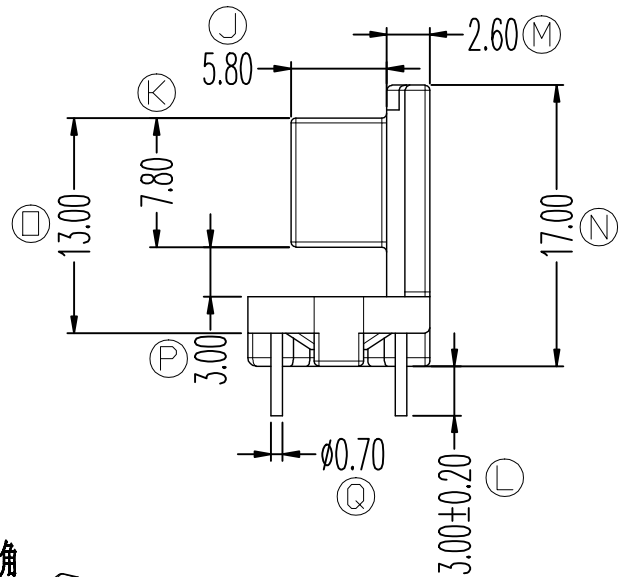
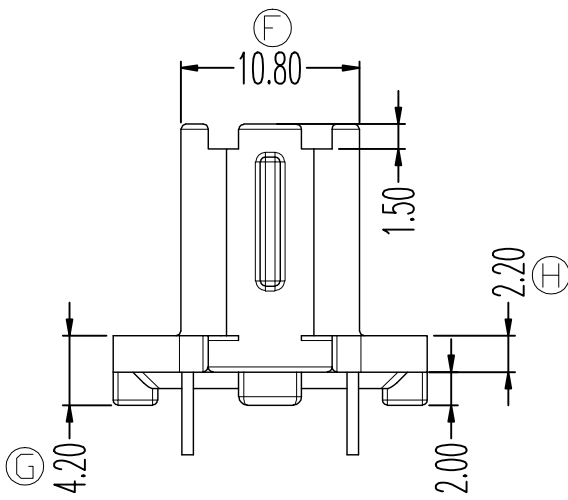
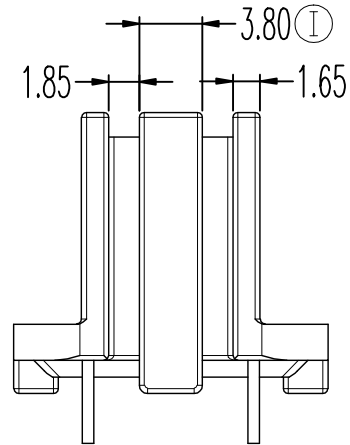
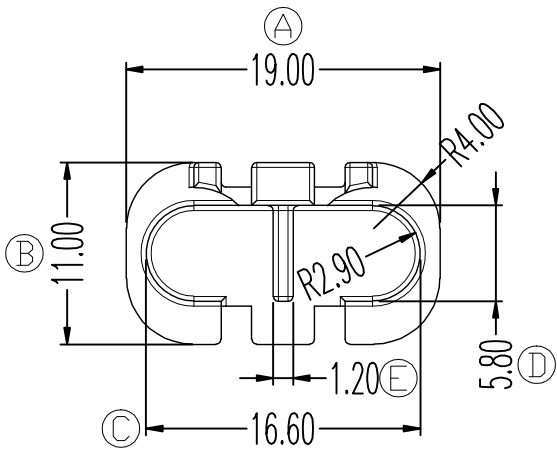


ZX-B115



REV.	REVISIONS	REC.	DATE	REV.	REVISIONS	REC.	DATE
1	两边往里减0.20, 由倒R角改为倒C角		2019.05.13	4			
2	此两处往外加0.20, C角改为R角		2019.05.20	5			
3				6			
DRAWN & DRAFTED BY		LIU WEI QIANG		TOLERANCES		ANGLE: ±1°	
CHECKED & APPROVED BY		ZHANG YONG		0<L≤4 ±0.1		TITLE: SQ-1515(4P)	
				4<L≤16 ±0.2		BOBBIN MATERIAL: PHENOLIC	
				16<L≤63 ±0.3		UL REC. UL 94V-0	
				pin pitch ±0.2		PIN MATERIAL: CP WIRE	
				UNIT: MM		PIN TENSION LOAD: 1.0KG MIN	
				SCALE:		DATE: 2019.05.20	
				DRAWING NO. ZX-B115		REV. A03	