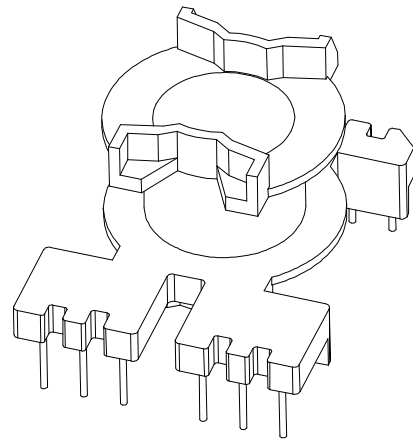
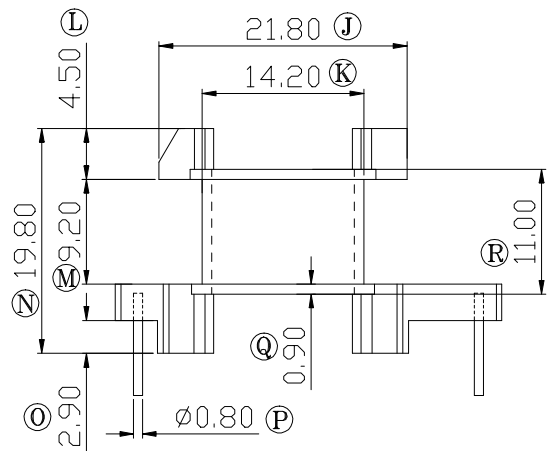
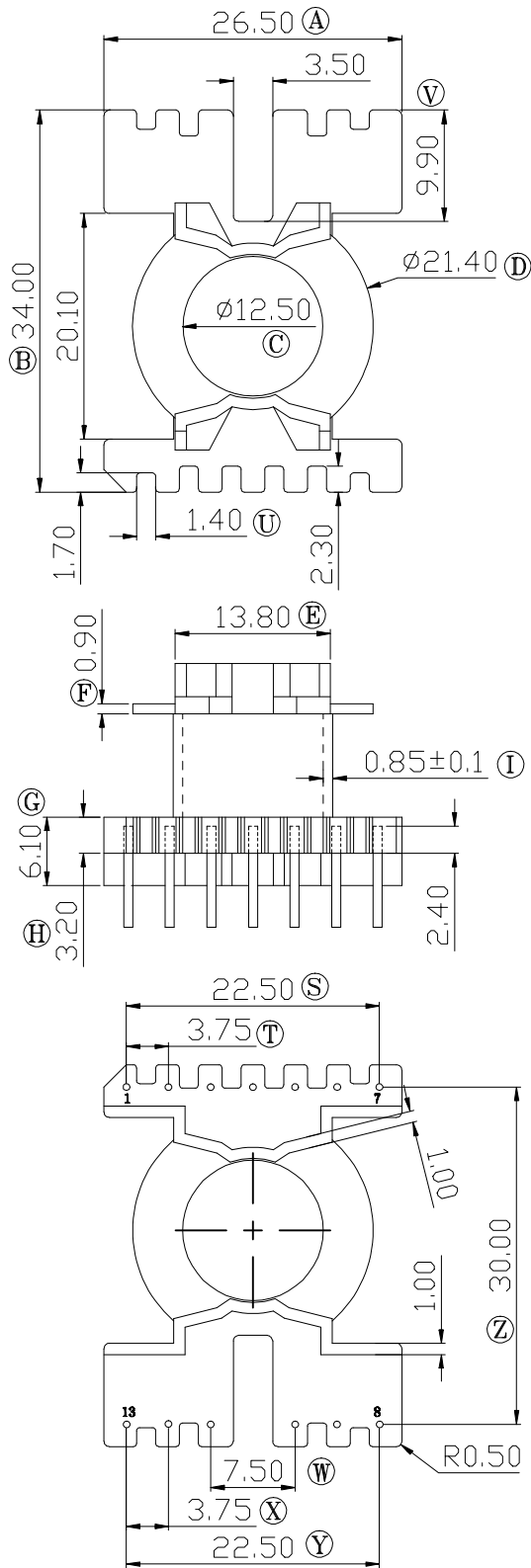


ZX-26V



| REV.                  | REVISIONS | REC.          | DATE | REV.  | REVISIONS | REC.                 | DATE |                             |  |
|-----------------------|-----------|---------------|------|---|-----------|----------------------|------|-----------------------------|--|
| 1                     |           |               |      | 4   |           |                      |      |                             |  |
| 2                     |           |               |      | 5   |           |                      |      |                             |  |
| 3                     |           |               |      | 6   |           |                      |      |                             |  |
| DRAWN & DRAFTED BY    |           | LIU WEI QIANG |      | TOLERANCES  |           | ANGLE: $\pm 1^\circ$ |      | TITLE: PQ-26(7+6P)          |  |
| CHECKED & APPROVED BY |           | ZHANG YONG    |      | $0 < L \leq 4 \pm 0.1$<br>$4 < L \leq 16 \pm 0.2$<br>$16 < L \leq 63 \pm 0.3$ |           | pin pitch $\pm 0.2$  |      | UNIT: MM                    |  |
|                       |           |               |      |   |           | SCALE:               |      | BOBBIN MATERIAL: PHENOLIC   |  |
|                       |           |               |      |   |           |                      |      | UL REC. UL 94V-0            |  |
|                       |           |               |      |   |           |                      |      | PIN MATERIAL: CP WIRE       |  |
|                       |           |               |      |   |           |                      |      | PIN TENSION LOAD: 1.0KG MIN |  |
|                       |           |               |      |   |           | DATE: 2019.07.15     |      | DRAWING NO. ZX-26V          |  |
|                       |           |               |      |   |           |                      |      | REV. A01                    |  |

**ZXE** 智信电子塑胶有限公司  
 ZHI XIN ELECTRONICS PLASTIC CO., LTD.  
 TEL: 0769-86389901-2 FAX: 0769-86389903

