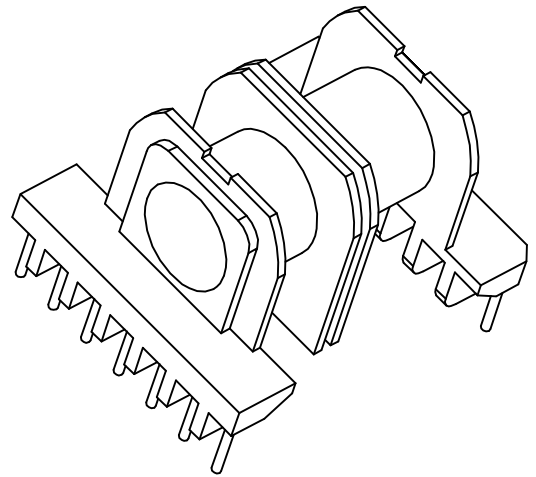
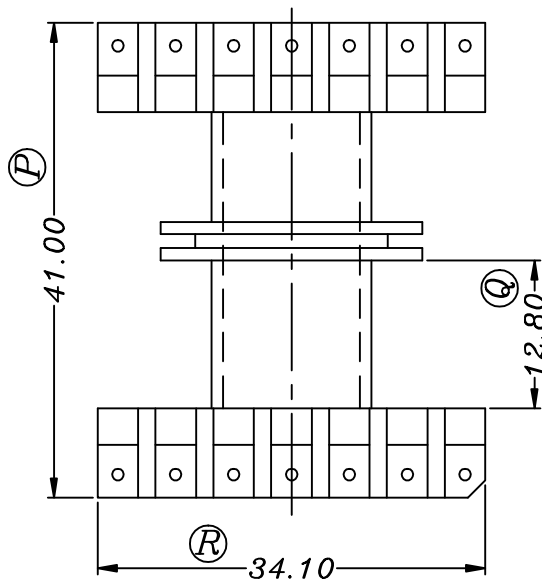
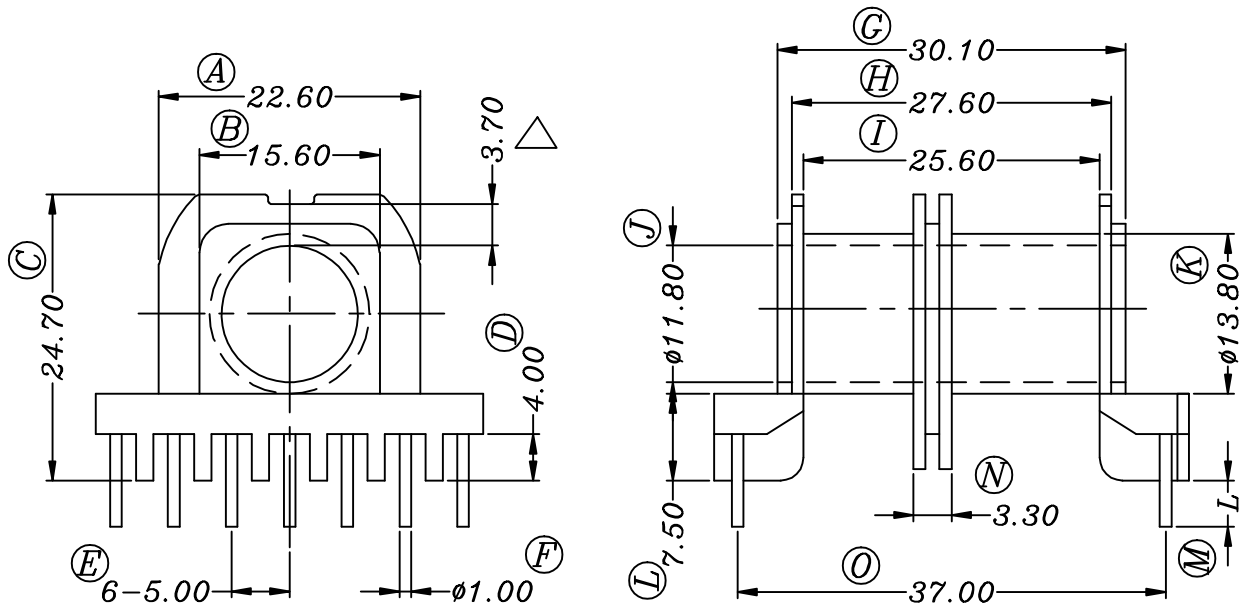


ZX-35H



对应的ZX-35H1

REV.	REVISIONS REC.	DATE	REV.	REVISIONS REC.	DATE
1	此尺寸为增加后的尺寸		4		
2			5		
3			6		
DRAWN & DRAFTED BY LIU WEI QIANG		TOLERANCES		ANGLE: $\pm 1^\circ$	
CHECKED & APPROVED BY MA BU JIAN		$0 < L \leq 4 \pm 0.1$ $4 < L \leq 16 \pm 0.2$ $16 < L \leq 63 \pm 0.3$		UNIT: MM SCALE:	
智信电子塑胶有限公司 ZHI XIN ELECTRONICS PLASTIC CO., LTD. TEL:0769-86389901-2 FAX:0769-86389903		TITLE: ER-35(7+7P)2S BOBBIN MATERIAL: PHENOLIC PIN MATERIAL: CP WIRE		UL REC. UL 94V-0 PIN TENSION LOAD: 1.5KG MIN	
				DATE: 2008.04.28 DRAWING NO. ZX-35H REV. A01	