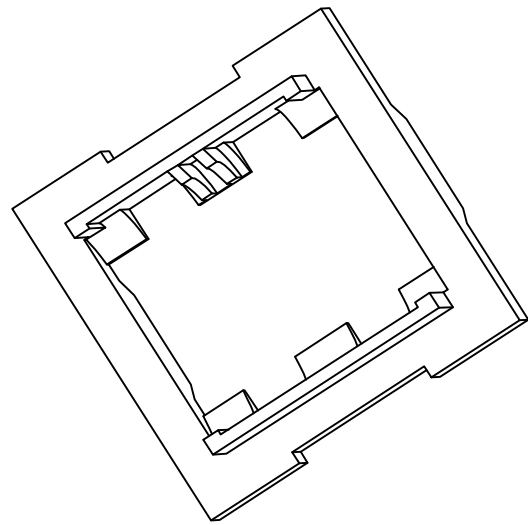
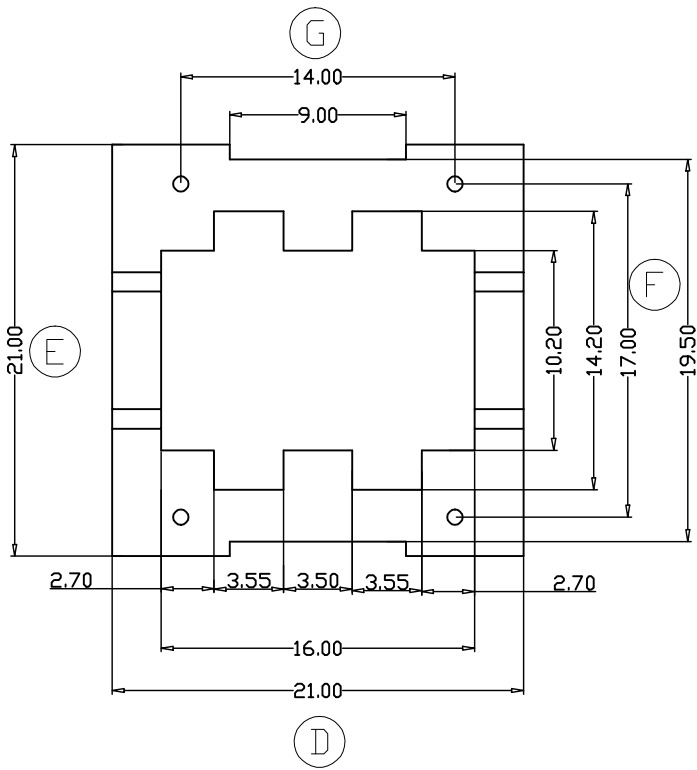
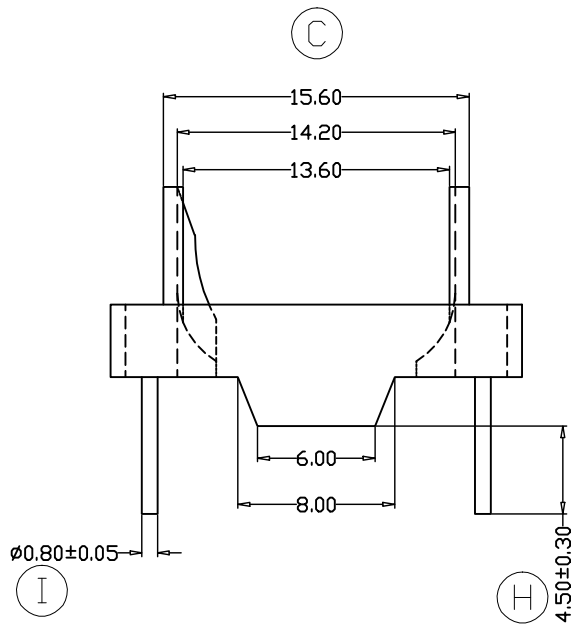
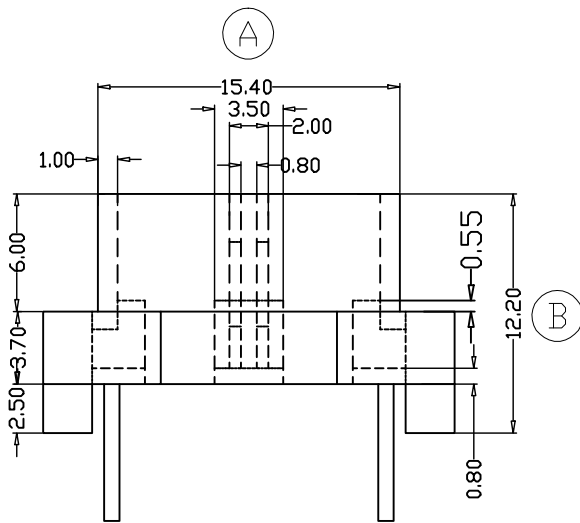


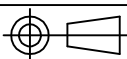
ZX-20E



REV.	REVISIONS REC.		DATE	REV.	REVISIONS REC.		DATE
1				4			
2				5			
3				6			
DRAWN & DRAFTED BY		LIU WEI QIANG		TOLERANCES		ANGLE: $\pm 1^\circ$	
CHECKED & APPROVED BY		LI JUN		pin pitch ± 0.2		TITLE: ET-20(2+2P)	
				UNIT: MM		BOBBIN MATERIAL: PHENOLIC	
				SCALE:		UL REC. UL 94V-0	
				DATE: 2012.06.04		PIN TENSION LOAD: 1.2kg MIN.	
				DRAWING NO. ZX-20E		REV. A01	



智信电子塑胶有限公司
ZHI XIN ELECTRONICS PLASTIC CO., LTD.
 TEL:0769-86389901-2 FAX:0769-86389903



DATE: 2012.06.04

DRAWING NO.

ZX-20E

REV. A01