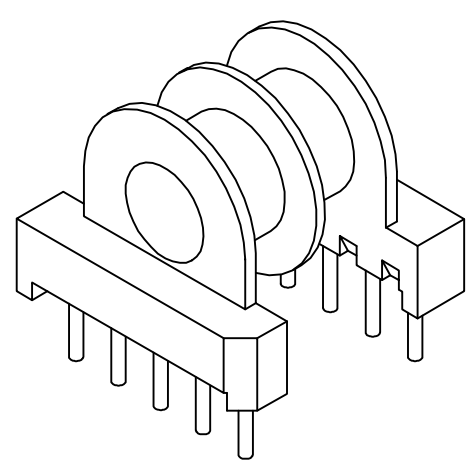
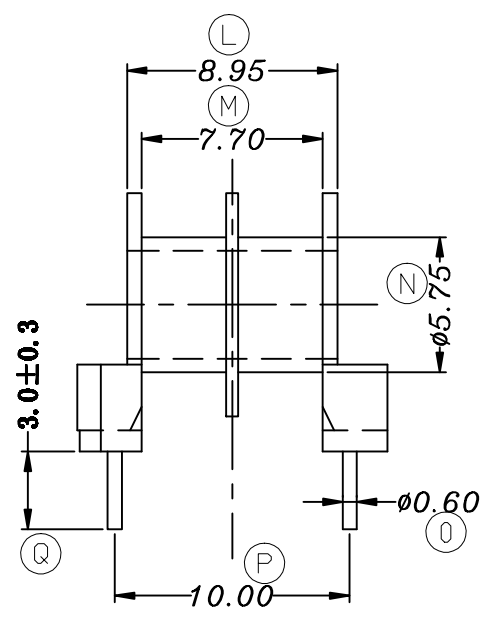
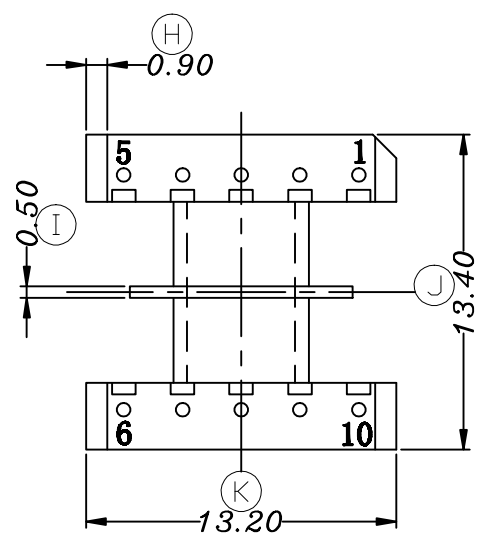
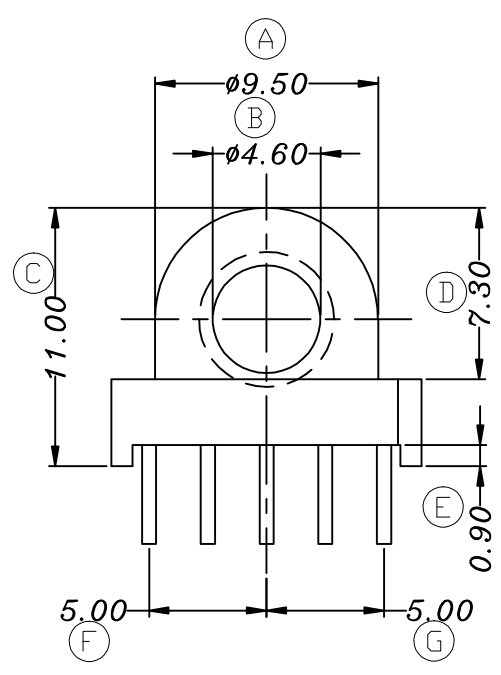


ZX-13D1



| REV. | REVISIONS | REC. | DATE | REV. | REVISIONS | REC. | DATE |
|-----------------------|-----------|---------------|------|---------------------|-----------|-----------------------------|------|
| 1 | | | | 4 | | | |
| 2 | | | | 5 | | | |
| 3 | | | | 6 | | | |
| DRAWN & DRAFTED BY | | LIU WEI QIANG | | TOLERANCES | | ANGLE: ±1° | |
| CHECKED & APPROVED BY | | MA BU JIAN | | pin pitch ±0.2 | | TITLE: EP-13(5+5P)2S | |
| | | 0<L≤4 ±0.1 | | UNIT: MM | | BOBBIN MATERIAL: PM-9820 | |
| | | 4<L≤16 ±0.2 | | SCALE: | | UL REC. UL 94V-0 | |
| | | 16<L≤63 ±0.3 | | DATE: 2008.08.16 | | PIN MATERIAL: CP WIRE | |
| | | | | DRAWING NO. ZX-13D1 | | PIN TENSION LOAD: 0.8KG MIN | |
| | | | | REV. A01 | | | |



智信电子塑胶有限公司
ZHI XIN ELECTRONICS PLASTIC CO., LTD.
 TEL:0769-86389901-2 FAX:0769-86389903

