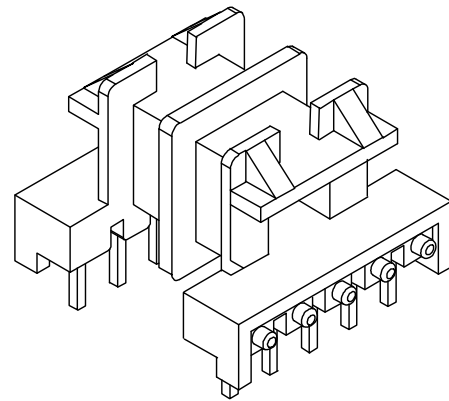
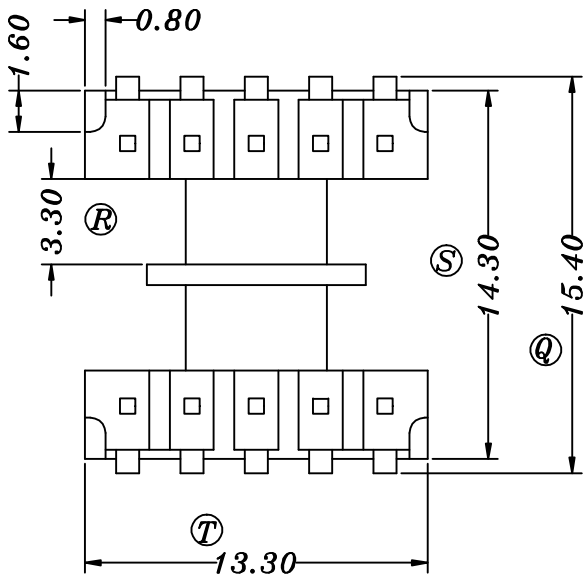
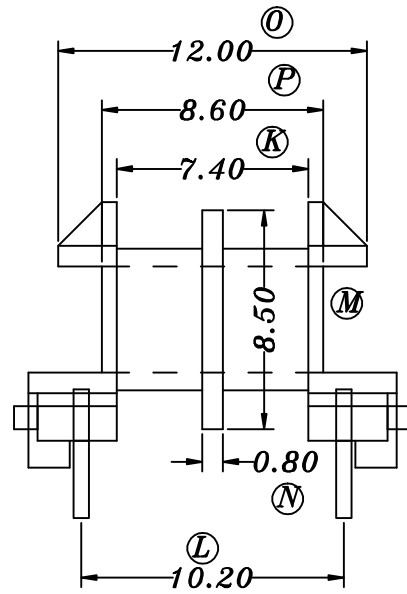
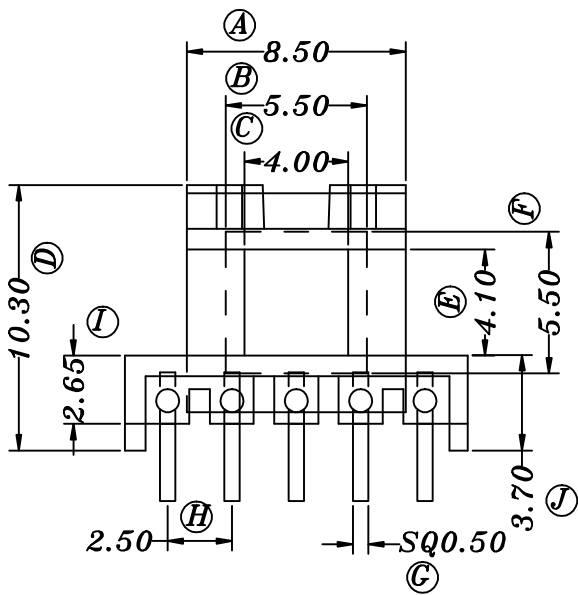


ZX-12.6I1



REV.	REVISIONS REC.		DATE	REV.	REVISIONS REC.		DATE
1				4			
2				5			
3				6			
DRAWN & DRAFTED BY	LIU WEI QIANG		TOLERANCES	ANGLE:	TITLE: EF-12.6(5+5P)2S		
CHECKED & APPROVED BY	ZHANG YONG		0<L≤4 ±0.1 4<L≤16 ±0.2 16<L≤63 ±0.3	UNIT:	BOBBIN MATERIAL:	UL REC. UL 94V-0	
			pin pitch ±0.2	MM	PIN MATERIAL:	PIN TENSION LOAD: 0.8KG MIN	
智信电子塑胶有限公司 ZHI XIN ELECTRONICS PLASTIC CO., LTD. TEL:0769-86389901-2 FAX:0769-86389903				SCALE:	DATE:	DRAWING NO.	REV.
					2018.12.08	ZX-12.6I1	A01