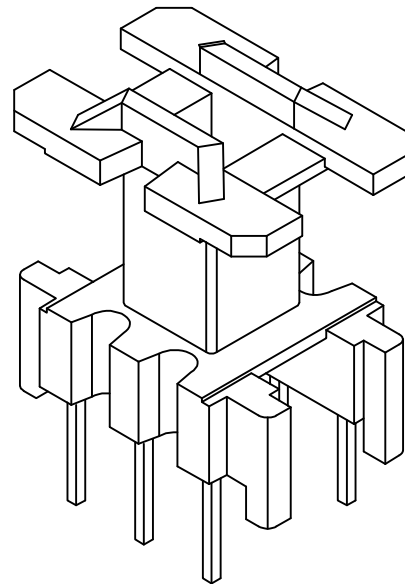
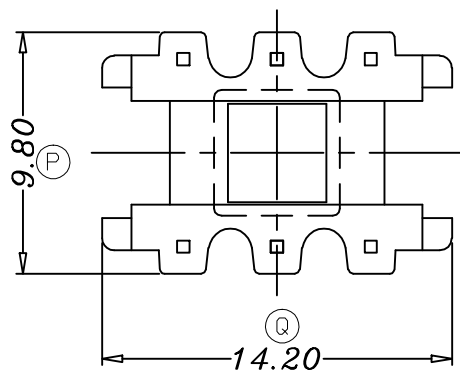
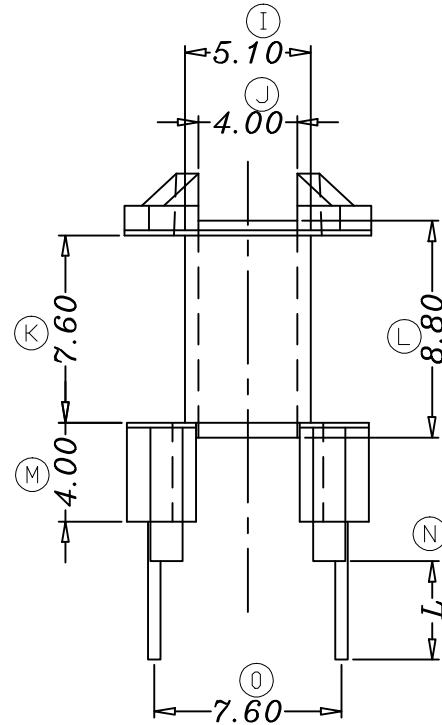
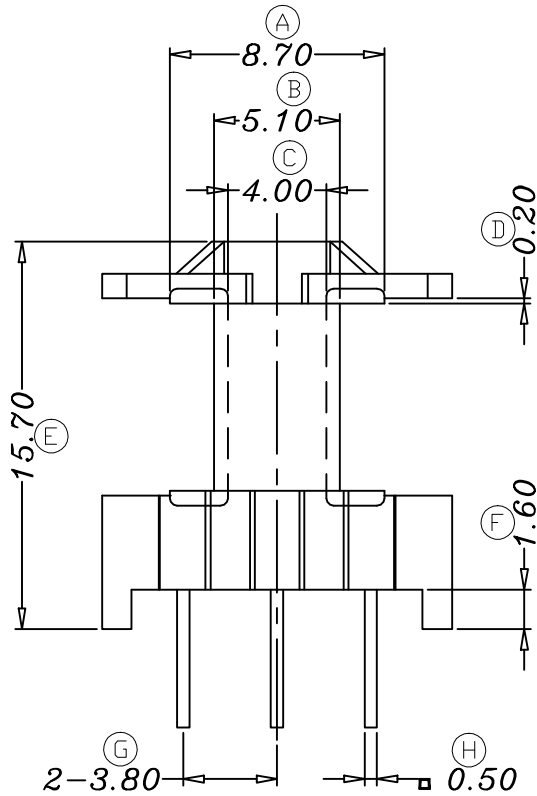


ZX-12.6B

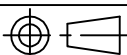


REV.	REVISIONS REC.		DATE	REV.	REVISIONS REC.		DATE
1				4			
2				5			
3				6			
DRAWN & DRAFTED BY		LIU WEI QIANG		TOLERANCES		ANGLE: $\pm 1^\circ$	
CHECKED & APPROVED BY		MA BU JIAN		pin pitch		TITLE: EF-12.6(3+3P)	
		0 < L ≤ 4 ±0.1		UNIT: MM		BOBBIN MATERIAL: PLASTIC	
		4 < L ≤ 16 ±0.2		SCALE:		UL REC. UL 94V-0	
		16 < L ≤ 63 ±0.3		DATE: 2011.07.03		PIN MATERIAL: CP WIRE	
				DRAWING NO. ZX-12.6B		PIN TENSION LOAD: 0.8KG MIN	
				REV. A01			



智信电子塑胶有限公司

ZHI XIN ELECTRONICS PLASTIC CO., LTD.
TEL:0769-86389901-2 FAX:0769-86389903



DATE: 2011.07.03

DRAWING NO. ZX-12.6B

REV. A01