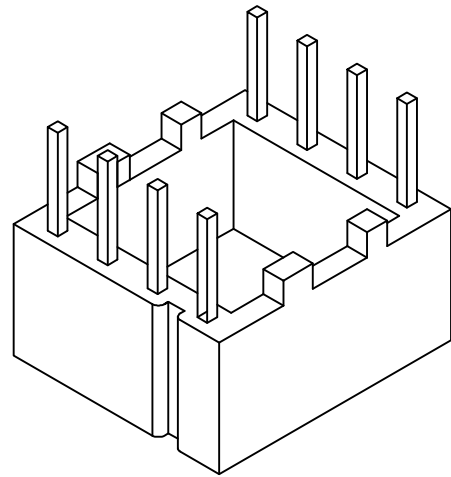
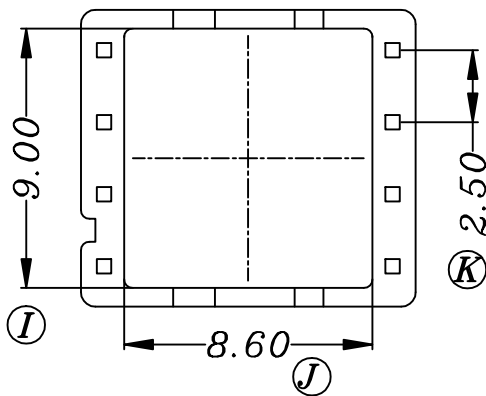
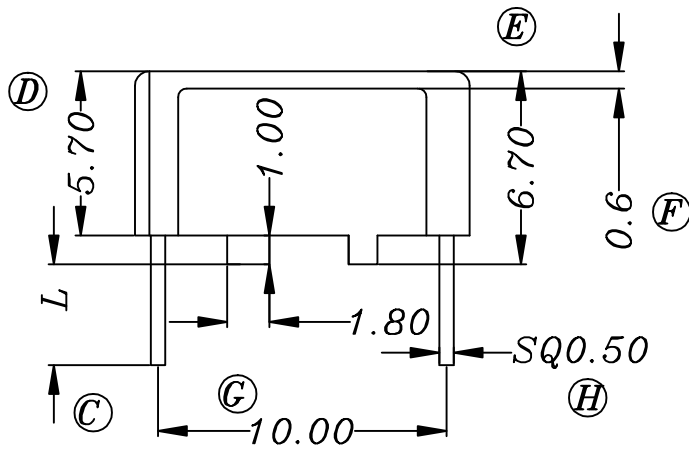
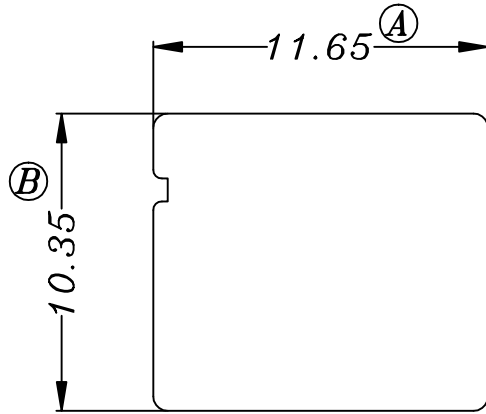


ZX-C050

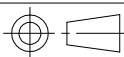


REV.	REVISIONS	REC.	DATE	REV.	REVISIONS	REC.	DATE
1	2个凸点宽度由1.00改为1.80		2019.03.30	4			
2				5			
3				6			
DRAWN & DRAFTED BY		LIU WEI QIANG		TOLERANCES		ANGLE: $\pm 1^\circ$	
CHECKED & APPROVED BY		ZHANG YONG		0 < L ≤ 4 ±0.1		TITLE: 12*10CASE(4+4P)	
				4 < L ≤ 16 ±0.2		BOBBIN MATERIAL: PM-9630	
				16 < L ≤ 63 ±0.3		UL REC. UL 94V-0	
				pin pitch ±0.2		PIN MATERIAL: CP WIRE	
				UNIT: MM		PIN TENSION LOAD: 0.8KG MIN	
				SCALE:		DATE: 2019.03.30	
				DRAWING NO. ZX-C050		REV. A02	



智信电子塑胶有限公司

ZHI XIN ELECTRONICS PLASTIC CO., LTD.
TEL:0769-86389901-2 FAX:0769-86389903



DATE: 2019.03.30

DRAWING NO.

ZX-C050

REV. A02