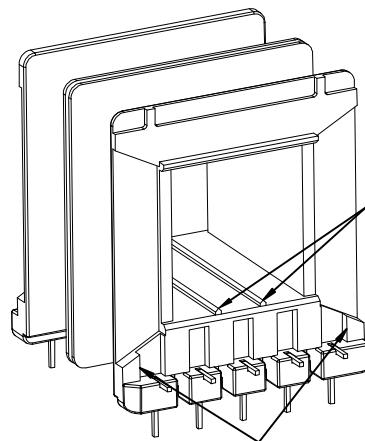
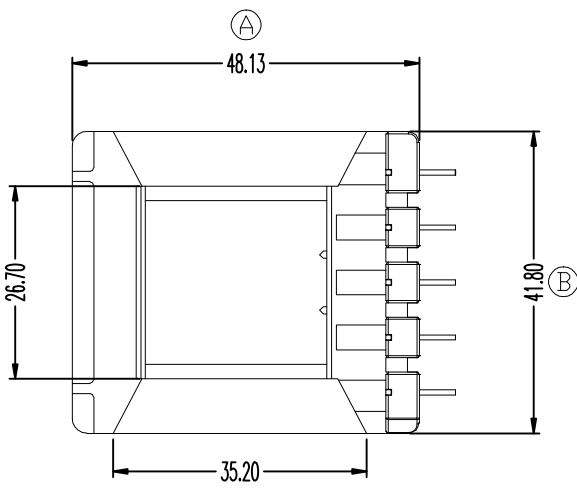
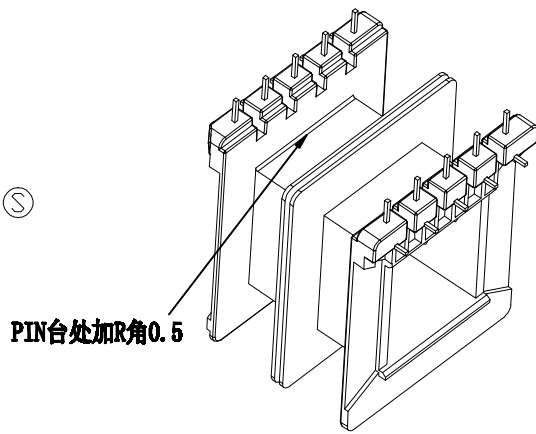
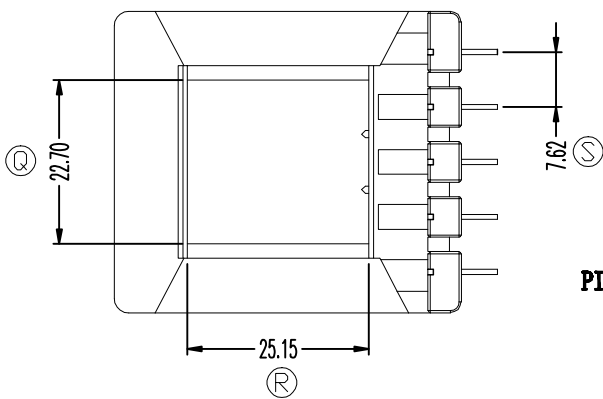
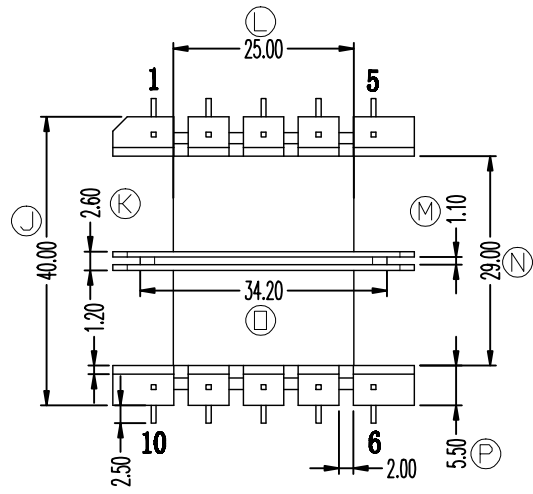
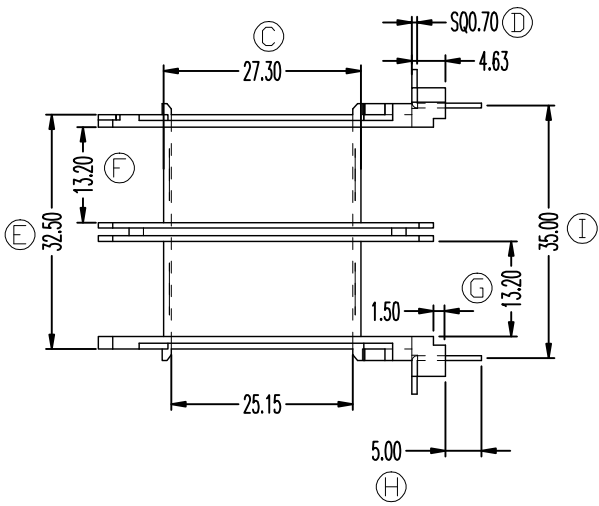


ZX-66A



针脚边增加2条筋，宽度1.0mm，厚度0.5mm

支撑筋加宽1.0mm



PIN台处加R角0.5

REV.	REVISIONS	REC.	DATE	REV.	REVISIONS	REC.	DATE		
1				4					
2				5					
3				6					
DRAWN & DRAFTED BY		LIU WEI QIANG		TOLERANCES		ANGLE: $\pm 1^\circ$		TITLE: EI6625-BOBBIN	
CHECKED & APPROVED BY		ZHANG YONG		$0 < L \leq 4 \pm 0.1$ $4 < L \leq 16 \pm 0.2$ $16 < L \leq 63 \pm 0.3$		pin pitch ± 0.2		BOBBIN MATERIAL: FR530黄色	
				UNIT: MM		SCALE:		PIN MATERIAL: CP WIRE	
								UL REC. UL 94V-0	
								PIN TENSION LOAD: 1.5KG MIN	
		智信电子塑胶有限公司 ZHI XIN ELECTRONICS PLASTIC CO., LTD. TEL:0769-86389901-2 FAX:0769-86389903				DATE: 2019.03.08		DRAWING NO. ZX-66A	
								REV. A01	