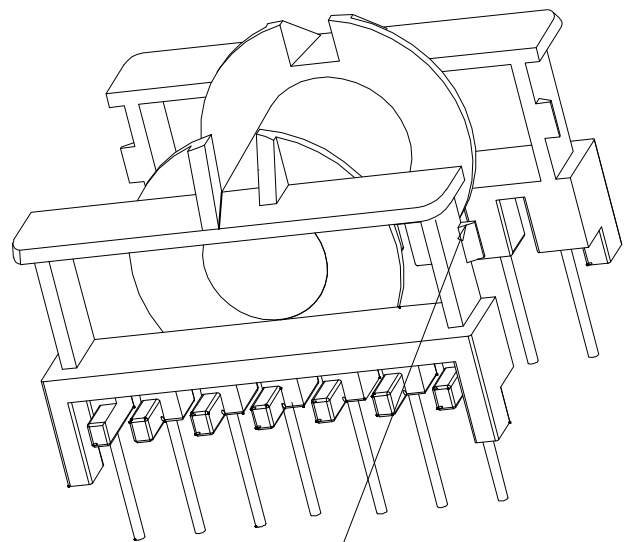
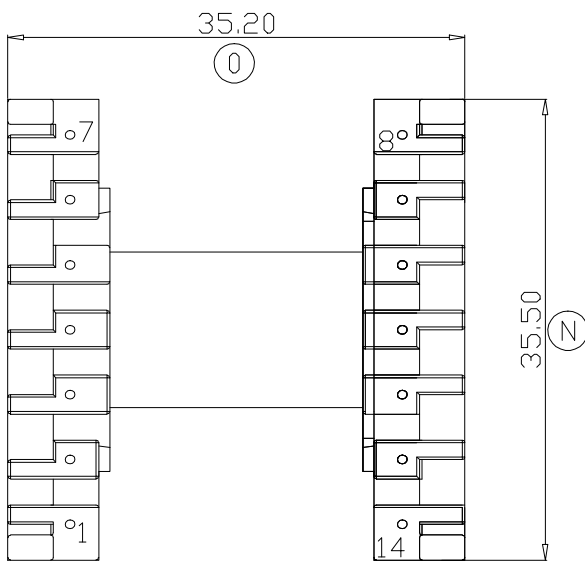
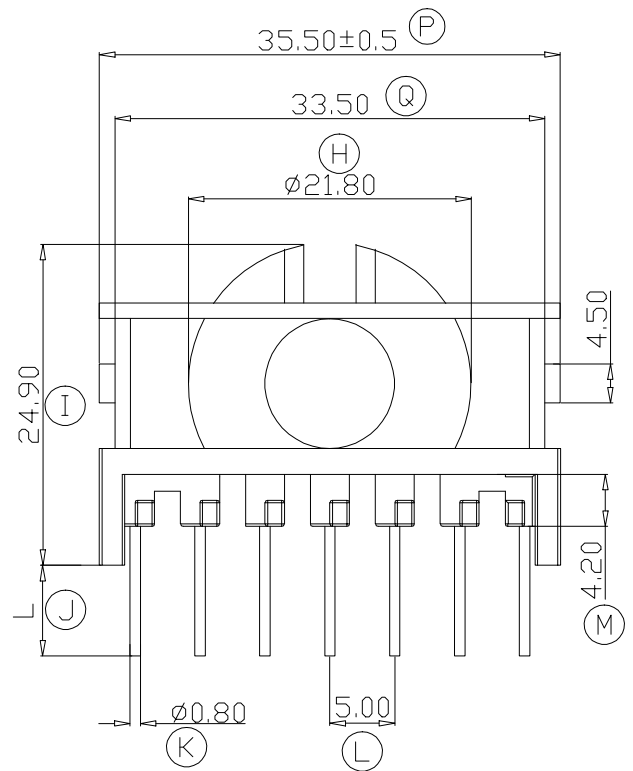
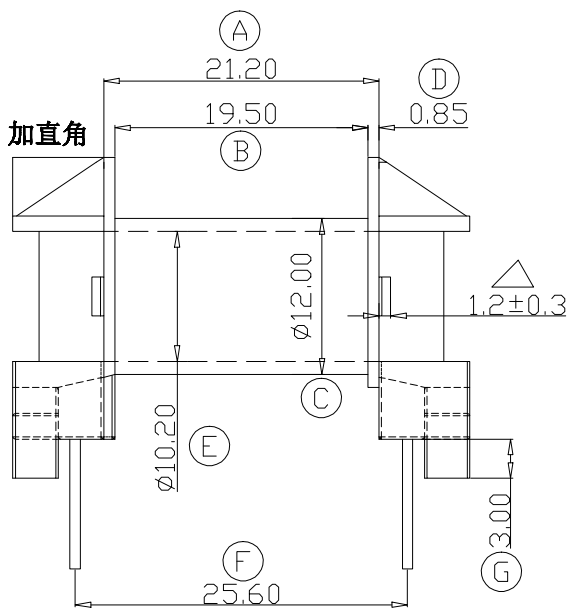


ZX-29E



加斜度 0.2°

REV.	REVISIONS REC.	DATE	REV.	REVISIONS REC.	DATE
1	△ 加大铁夹扣耳子, 由0.8MM加大到1.2±0.3MM	2017.08.31	4	顶部加一直角, 用于插针振动盘定位	2018.03.29
2	Ⓟ 尺寸由35.00±0.50改成35.50±0.50	2017.08.31	5		
3	Ⓠ 尺寸由33.30改成33.50	2017.08.31	6		
DRAWN & DRAFTED BY		TOLERANCES		ANGLE:	
LIU WEI QIANG		0<L≤ 4 ±0.1		±1°	
CHECKED & APPROVED BY		4<L≤ 16 ±0.2		UNIT:	
MA BU JIAN		16<L≤ 63 ±0.3		MM	
		pin pitch ±0.2		TITLE:	
				ETD-29(7+7P)	
				BOBBIN MATERIAL:	
				PHENOLIC	
				UL REC.	
				UL 94V-0	
				PIN MATERIAL:	
				CP WIRE	
				PIN TENSION LOAD:	
				1.2kg MIN.	
SCALE:		DATE:		DRAWING NO.	
		2018.03.29		ZX-29E	
REV. A03					



智信电子塑胶有限公司
ZHI XIN ELECTRONICS PLASTIC CO., LTD.
TEL:0769-86389901-2 FAX:0769-86389903

