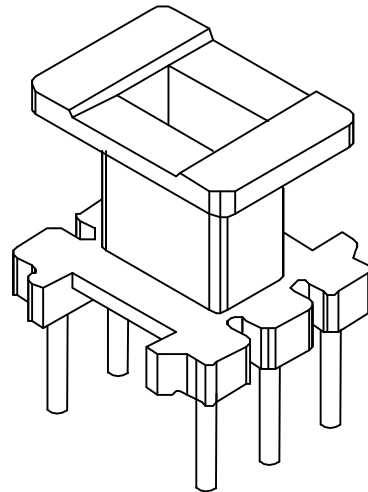
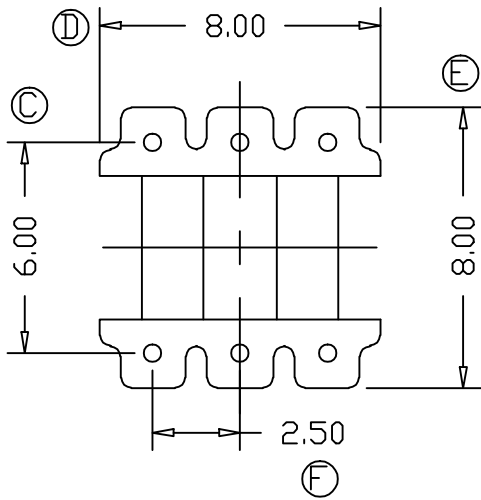
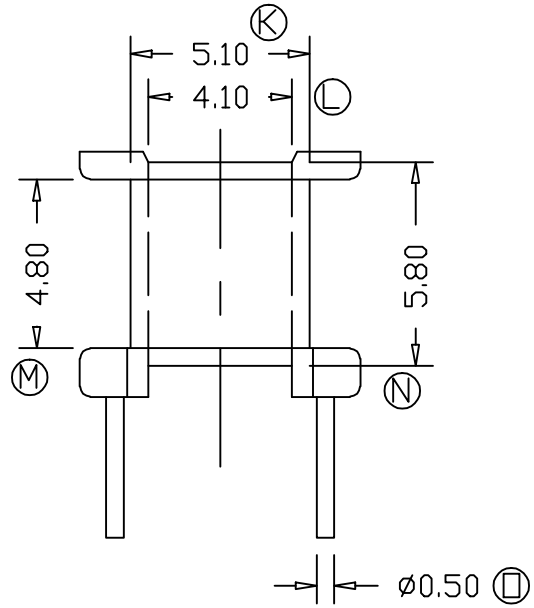
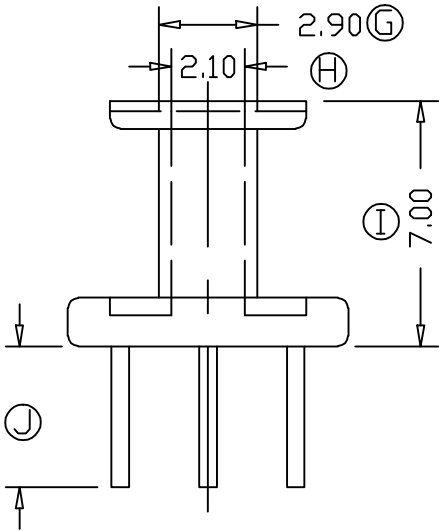
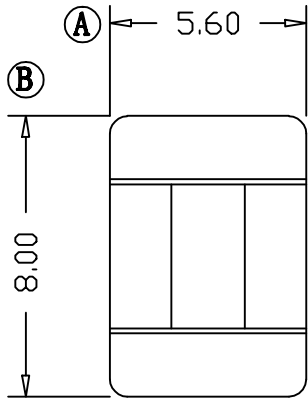


ZX-8.3B



REV.	REVISIONS	REC.	DATE	REV.	REVISIONS	REC.	DATE
1	PIN针由0.4方针改为0.5圆针		2019.04.23	4			
2				5			
3				6			
DRAWN & DRAFTED BY		LIU WEI QIANG		TOLERANCES		ANGLE: $\pm 1^\circ$	
CHECKED & APPROVED BY		LI JUN		$0 < L \leq 4 \quad \pm 0.1$ $4 < L \leq 16 \quad \pm 0.2$ $16 < L \leq 63 \quad \pm 0.3$		pin pitch $\pm 0.2$ UNIT: MM SCALE:	
ZXE 智信电子塑胶有限公司 ZHI XIN ELECTRONICS PLASTIC CO., LTD. TEL:0769-86389901-2 FAX:0769-86389903				TITLE: EE-8.3(3+3P) BOBBIN MATERIAL: PHENOLIC PIN MATERIAL: CP WIRE		UL REC. UL 94V-0 PIN TENSION LOAD: 0.8KG MIN	
				DATE: 2019.04.23		DRAWING NO. ZX-8.3B	
						REV. A02	