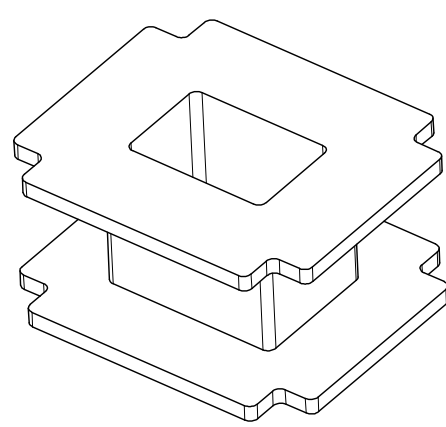
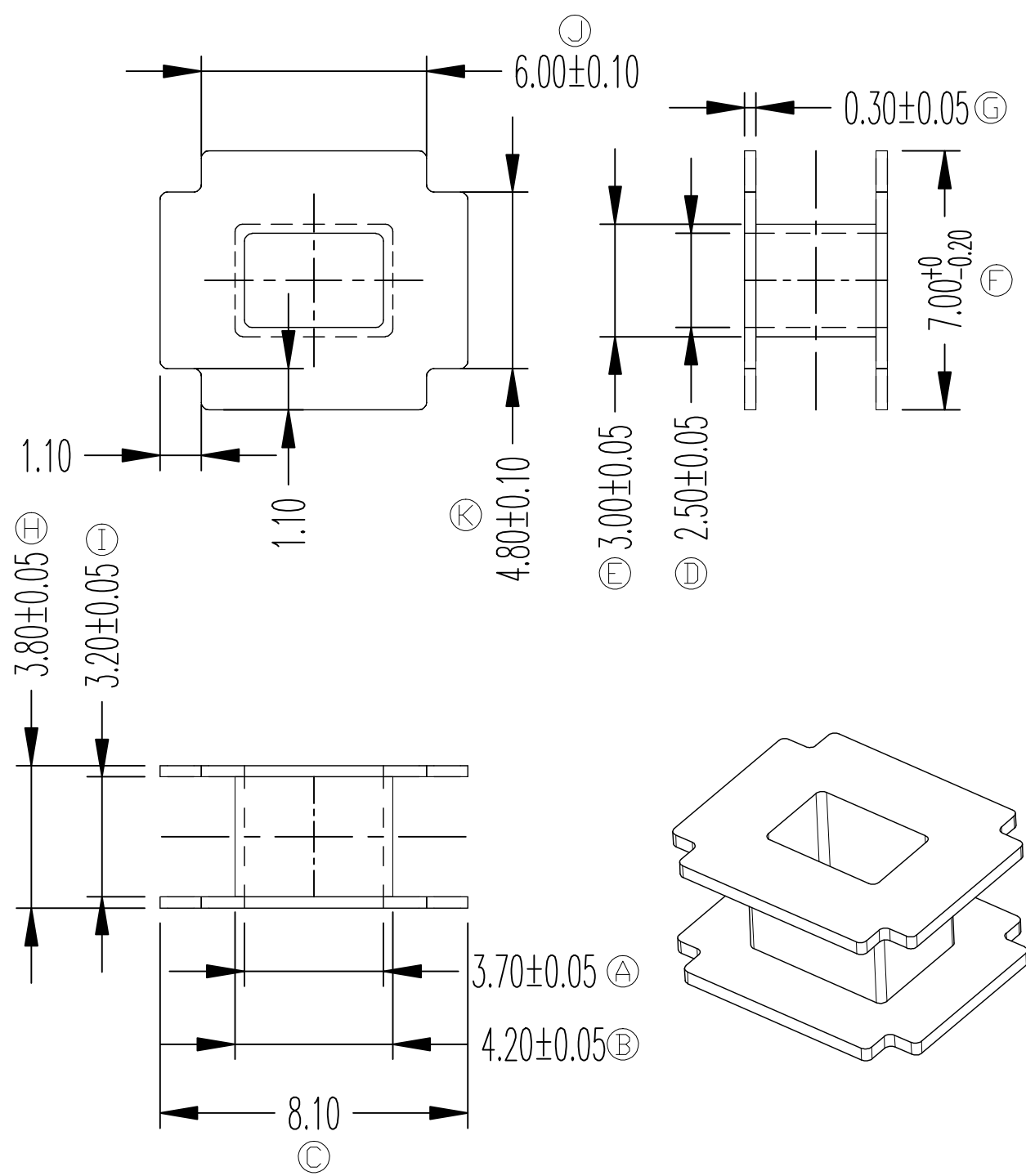


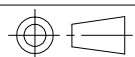
ZX-10AM



REV.	REVISIONS		REC.	DATE	REV.	REVISIONS		REC.	DATE
1					4				
2					5				
3					6				
DRAWN & DRAFTED BY		LIU WEI QIANG		TOLERANCES		ANGLE:		TITLE:	
CHECKED & APPROVED BY		ZHANG YONG		0<L≤4 ±0.1 4<L≤16 ±0.2 16<L≤63 ±0.3		pin pitch ±0.2		±1°	
				UNIT:		MM		BOBBIN MATERIAL:	
				SCALE:				70G33L	
				DATE:		2019.01.07		UL REC. UL 94V-0	
				DRAWING NO.:		ZX-10AM		PIN TENSION LOAD:	
				REV.:		A01			



智信电子塑胶有限公司
ZHI XIN ELECTRONICS PLASTIC CO., LTD.
 TEL:0769-86389901-2 FAX:0769-86389903



DATE: 2019.01.07

DRAWING NO. ZX-10AM

REV. A01