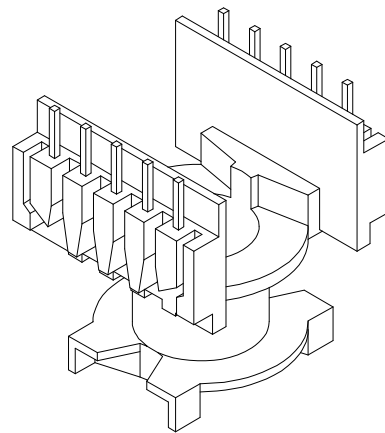
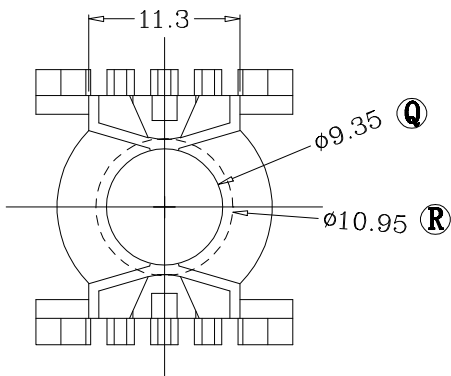
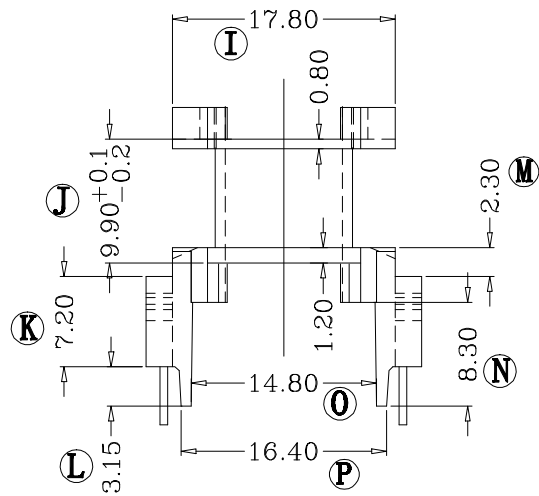
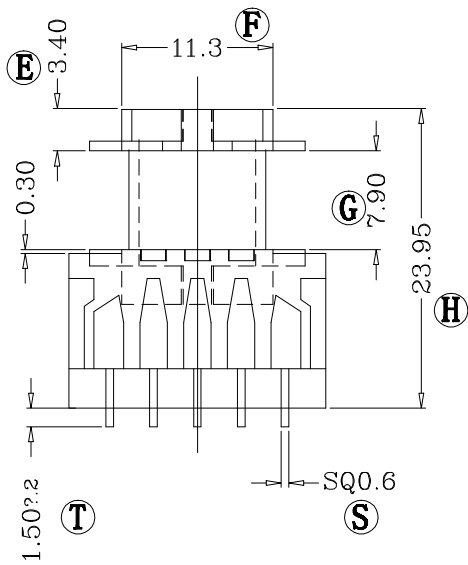
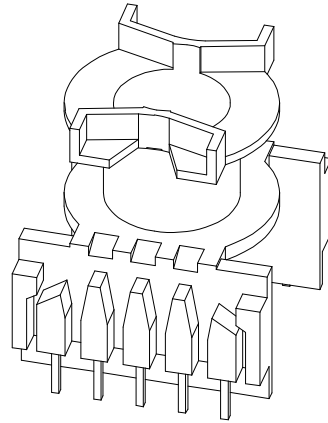
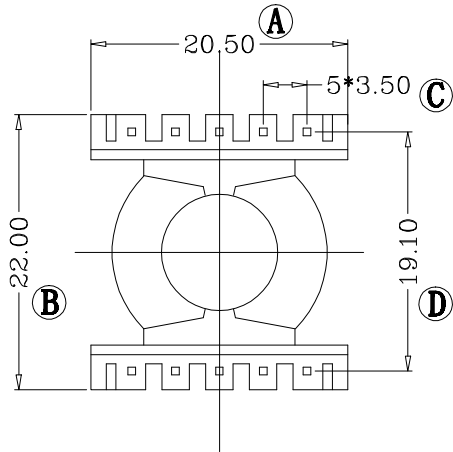

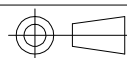


# ZX-20BM



REV.	REVISIONS REC.		DATE	REV.	REVISIONS REC.		DATE
1				4			
2				5			
3				6			
DRAWN & DRAFTED BY		LIU WEI QIANG		TOLERANCES		ANGLE: ±1°	
CHECKED & APPROVED BY		CHEN LING		0<L<4 ±0.1 pin pitch		TITLE: PQ-20 (5+5P)	
				4<L<16 ±0.2		BOBBIN MATERIAL: PM-9820	
				16<L<63 ±0.3 ±0.2		UL REC. UL 94V-0	
				UNIT: MM		PIN MATERIAL: CP WIRE	
				SCALE:		PIN TENSION LOAD: 1.2KG MIN	
 智信电子塑胶有限公司 ZHI XIN ELECTRONICS PLASTIC CO., LTD. TEL:0769-86389901-2 FAX:0769-86389903		 DATE: 2017.07.20		DRAWING NO. ZX-20BM		REV. A01	