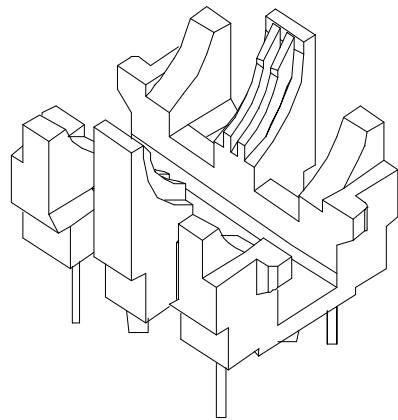
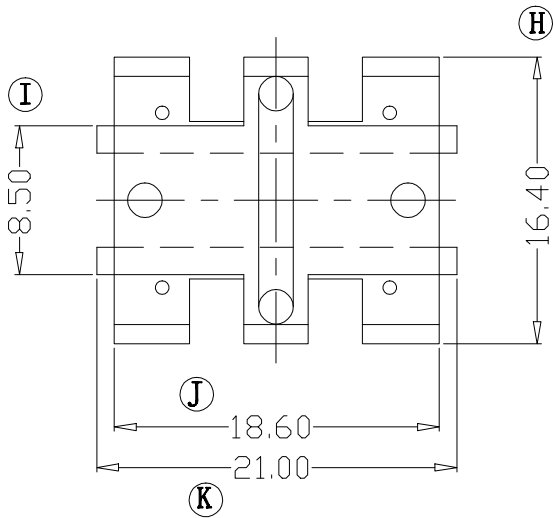
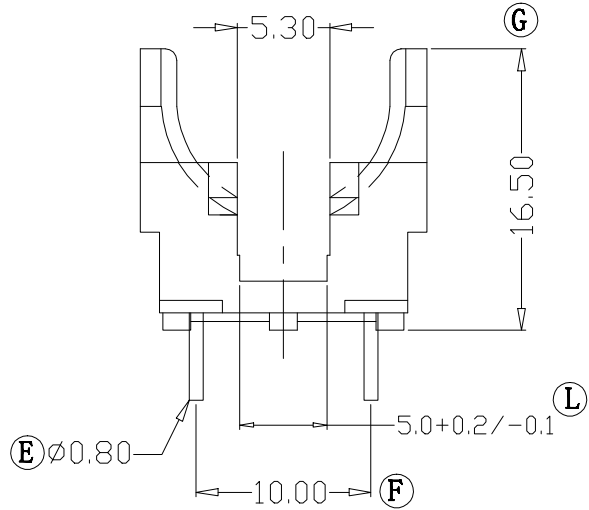
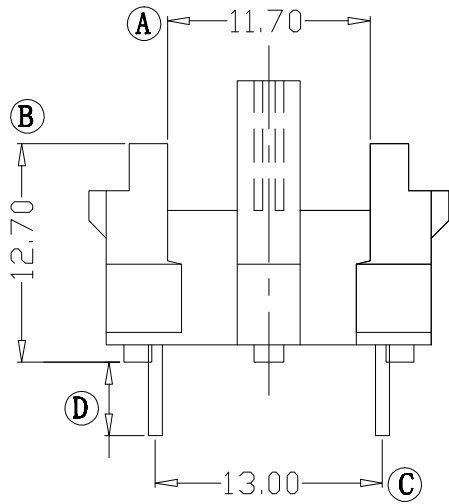


# ZX-20A

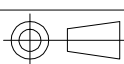


REV.	REVISIONS REC.		DATE	REV.	REVISIONS REC.		DATE
1				4			
2				5			
3				6			
DRAWN & DRAFTED BY		LIU WEI QIANG		TOLERANCES		ANGLE: $\pm 1^\circ$	
CHECKED & APPROVED BY		LI JUN		pin pitch		TITLE: <b>UT-20(2+2P)</b>	
		0 < L ≤ 4 ± 0.1		UNIT: MM		BOBBIN MATERIAL: PHENOLIC	
		4 < L ≤ 16 ± 0.2		SCALE:		UL REC. UL 94V-0	
		16 < L ≤ 63 ± 0.3		DATE: 2011.07.02		PIN MATERIAL: CP WIRE	
				DRAWING NO. ZX-20A		PIN TENSION LOAD: 1.2KG MIN	
				REV. A01			



**智信电子塑胶有限公司**

ZHI XIN ELECTRONICS PLASTIC CO., LTD.  
TEL: 0769-86389901-2 FAX: 0769-86389903



DATE: 2011.07.02

DRAWING NO.

ZX-20A

REV. A01