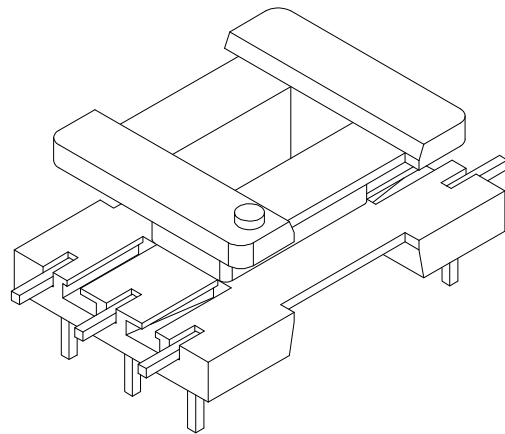
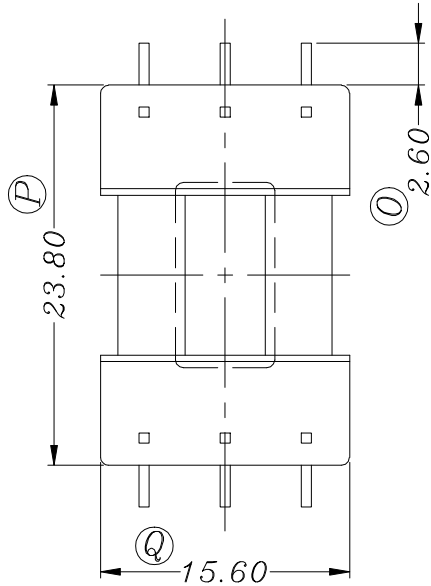
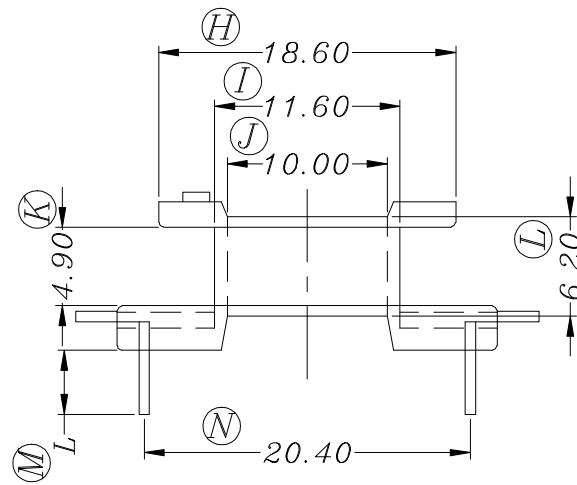
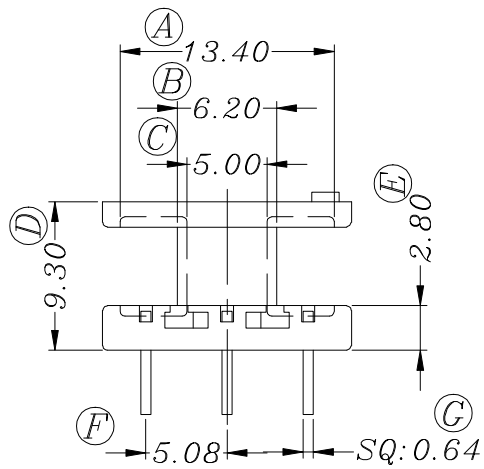


# ZX-18.6A

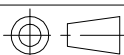


REV.	REVISIONS REC.		DATE	REV.	REVISIONS REC.		DATE
1				4			
2				5			
3				6			
DRAWN & DRAFTED BY		LIU WEI QIANG		TOLERANCES		ANGLE: $\pm 1^\circ$	
CHECKED & APPROVED BY		MA BU JIAN		$0 < L \leq 4 \pm 0.1$ $4 < L \leq 16 \pm 0.2$ $16 < L \leq 63 \pm 0.3$		UNIT: MM SCALE:	
TITLE:		EI-18.6 (3+3P)		BOBBIN MATERIAL:		PLASTIC	
PIN MATERIAL:		CP WIRE		UL REC.		UL 94V-0	
DATE:		2011.01.03		DRAWING NO.		ZX-18.6A	
REV. A01				PIN TENSION LOAD:		1.0KG MIN	



智信电子塑胶有限公司

ZHI XIN ELECTRONICS PLASTIC CO., LTD.  
 TEL: 0769-86389901-2 FAX: 0769-86389903



DATE: 2011.01.03

DRAWING NO. ZX-18.6A

REV. A01