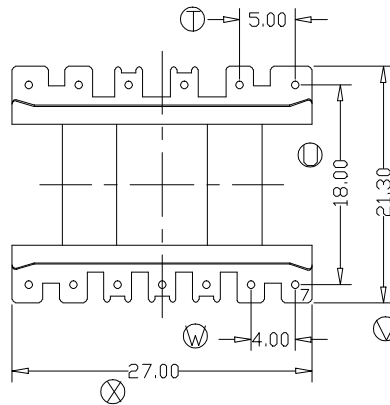
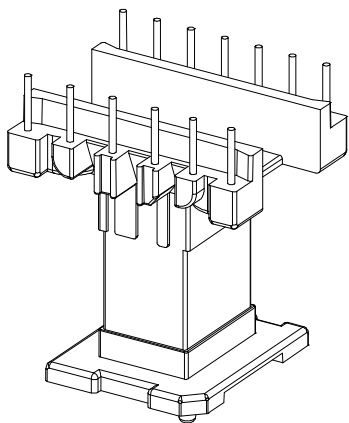
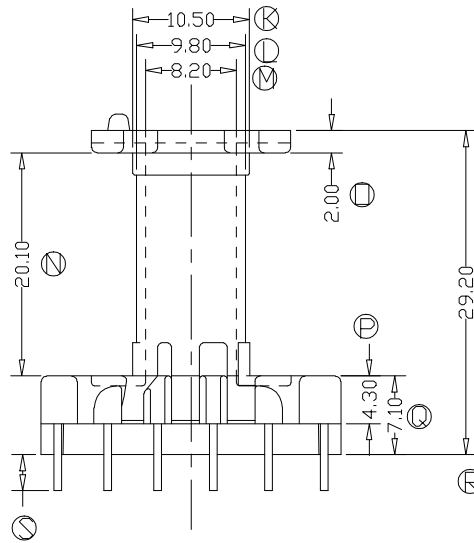
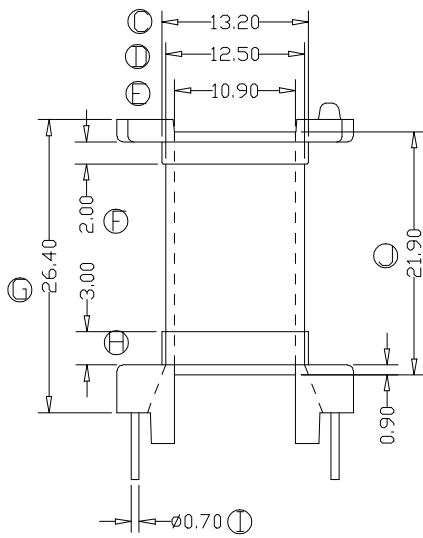
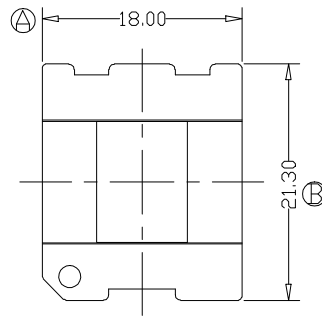
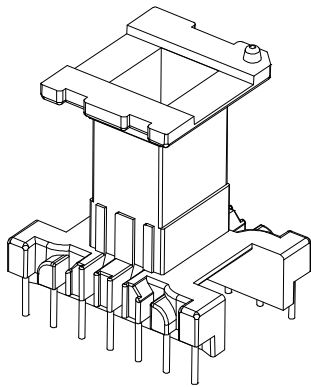


# ZX-27V



REV.	REVISIONS	REC.	DATE	REV.	REVISIONS	REC.	DATE
1				4			
2				5			
3				6			
DRAWN & DRAFTED	LIU WEI QIANG		TOLERANCES		ANGLE:	TITLE: EEL-27 (6+7P)	
CHECKED & APPROVED BY	LI JUN		0<L<4 ±0.1		UNIT:	BOBBIN MATERIAL: PHENOLIC	UL REC. UL 94V-0
			4<L<16 ±0.2		SCALE:	PIN MATERIAL: CP WIRE	PIN TENSION LOAD: 0.7KG MIN
			16<L<63 ±0.3 ±0.2		DATE:	DRAWING NO. ZX-27V	REV. A01
智信电子塑胶有限公司 ZHI XIN ELECTRONICS PLASTIC CO., LTD. TEL:0769-86389901-2 FAX:0769-86389903			DATE: 2011.07.02				