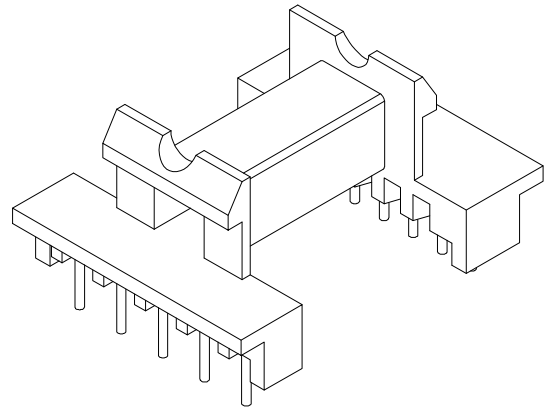
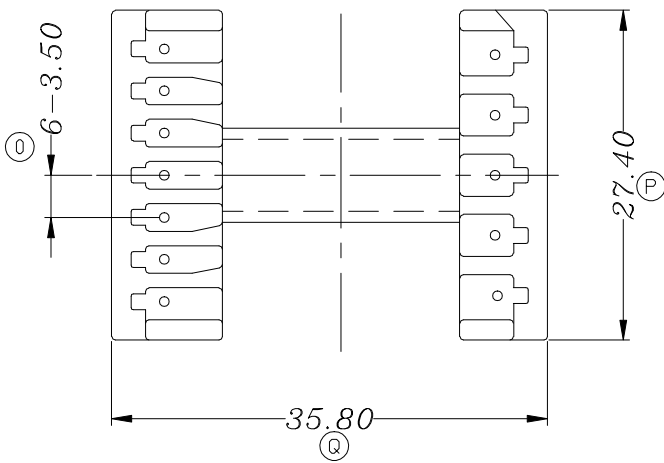
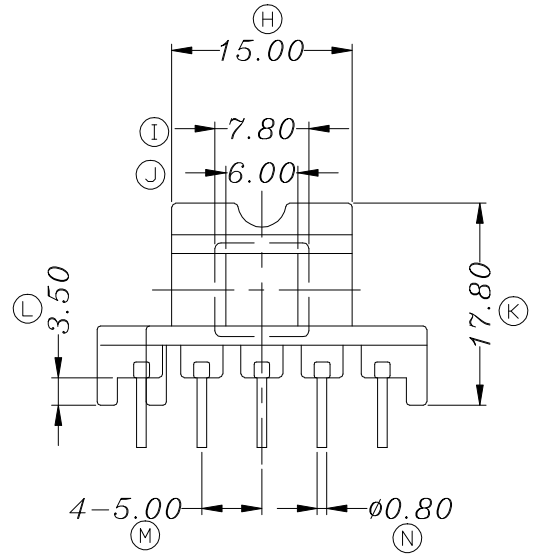
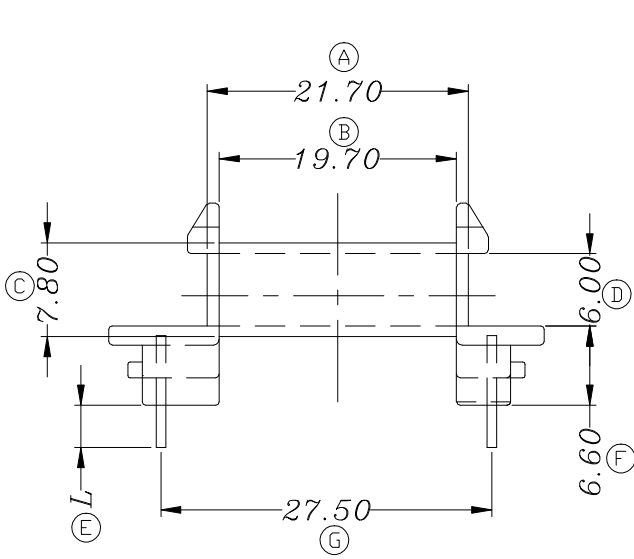


ZX-22D



REV.	REVISIONS REC.		DATE	REV.	REVISIONS REC.		DATE
1				4			
2				5			
3				6			
DRAWN & DRAFTED BY		LIU WEI QIANG	TOLERANCES		ANGLE:	TITLE: EEL-22(5+7P)	
CHECKED & APPROVED BY		MA BU JIAN	0<L≤4 ±0.1	pin pitch ±0.2	±1°	UL REC. UL 94V-0	
			4<L≤16 ±0.2		UNIT:	BOBBIN MATERIAL: PHENOLIC	PIN TENSION LOAD: 1.2KG MIN
			16<L≤63 ±0.3	MM	PIN MATERIAL: CP WIRE		
				SCALE:	DATE: 2007.07.12	DRAWING NO. ZX-22D	REV. A01