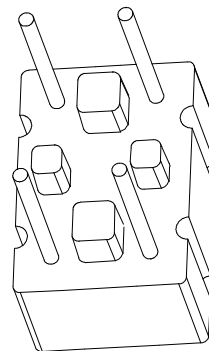
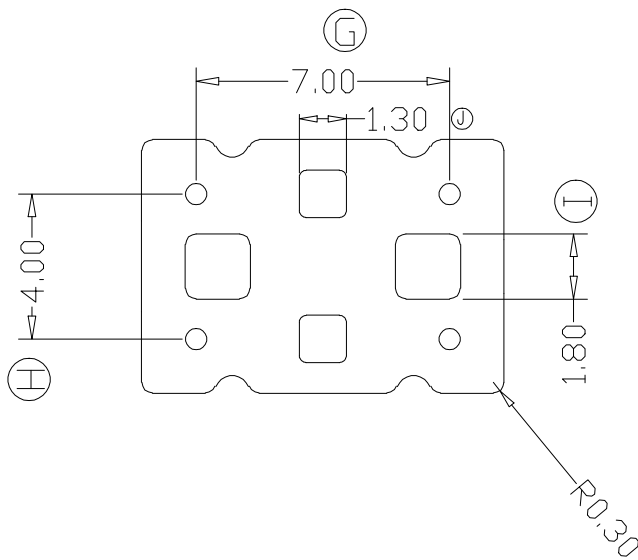
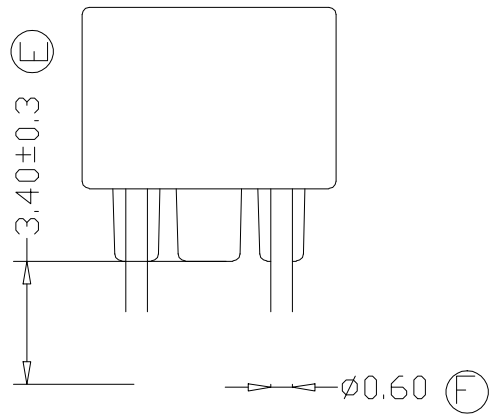
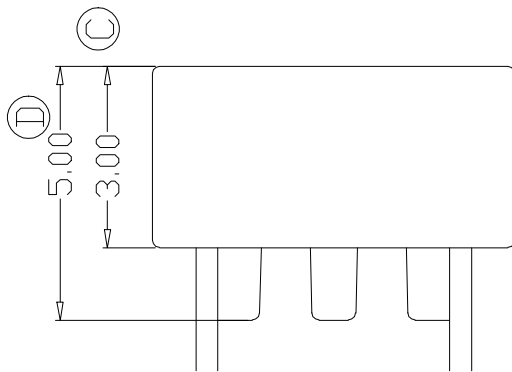
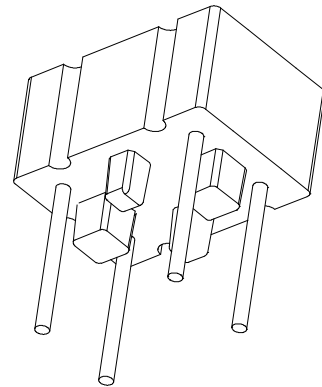
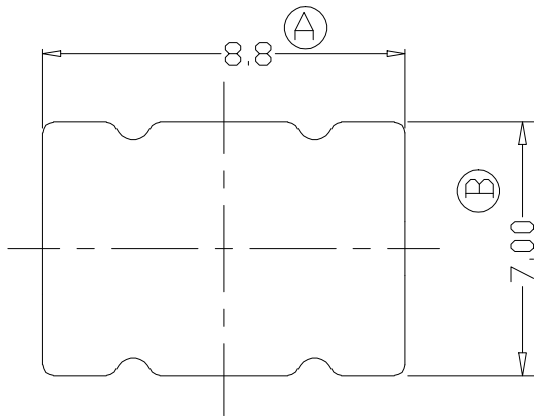


ZX-B003-1



| REV. | REVISIONS REC. | | DATE | REV. | REVISIONS REC. | | DATE |
|---|----------------|---------------|-----------|-------------|-------------------|---------------|-----------------|
| 1 | | | | 4 | | | |
| 2 | | | | 5 | | | |
| 3 | | | | 6 | | | |
| DRAWN & DRAFTED BY | LIU WQIANG | TOLERANCES | | ANGLE: | TITLE: BASE(2+2P) | | |
| CHECKED & APPROVED BY | MA BU JIAN | 0<L≤ 4 ±0.1 | pin pitch | ±1° | BOBBIN MATERIAL: | PHENOLIC | UL REC. UL94V-0 |
| | | 4<L≤ 16 ±0.2 | ±0.2 | UNIT: | MM | PIN MATERIAL: | CP WIRE |
| | | 16<L≤ 63 ±0.3 | | SCALE: | | DATE: | 2012.03.23 |
| 智信电子塑胶有限公司 ZHI XIN ELECTRONICS PLASTIC CO., LTD. TEL:0769-86389901-2 FAX:0769-86389903 | | | | DRAWING NO. | ZX-B003-1 | REV. | A01 |