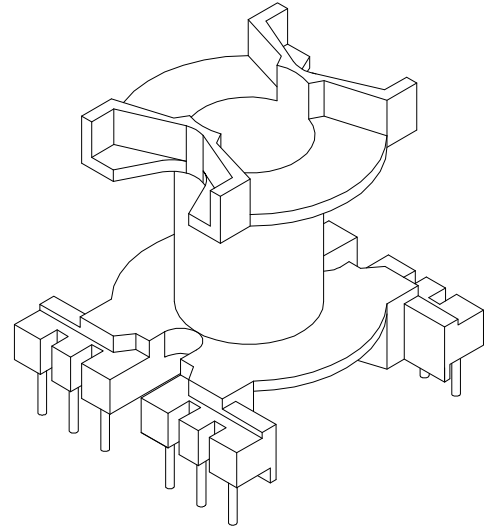
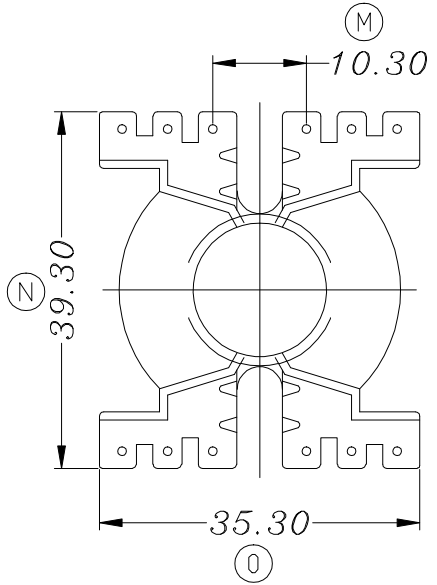
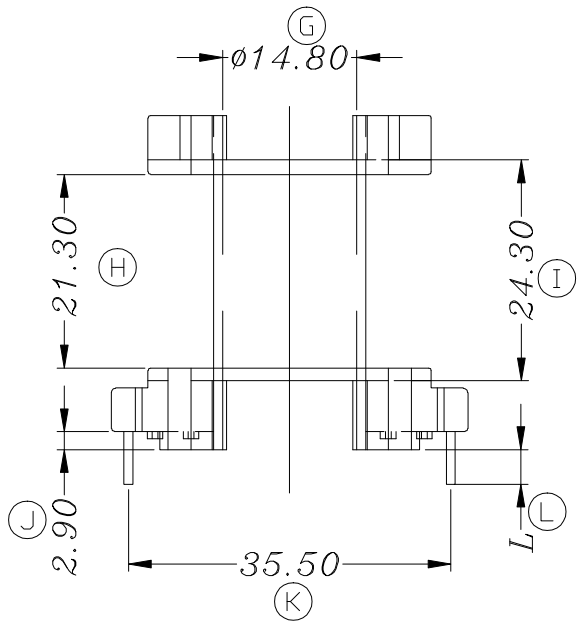
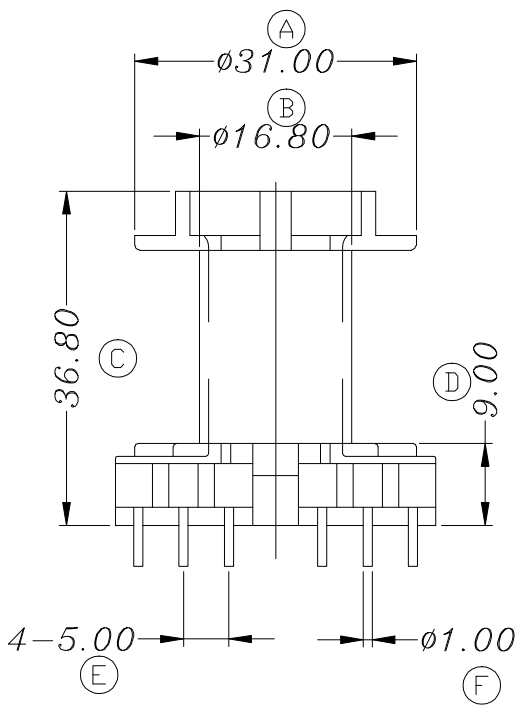


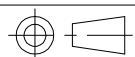
ZX-3535A



REV.	REVISIONS REC.		DATE	REV.	REVISIONS REC.		DATE
1				4			
2				5			
3				6			
DRAWN & DRAFTED BY		LIU WEI QIANG	TOLERANCES		ANGLE:	TITLE:	
CHECKED & APPROVED BY		MA BU JIAN	0 < L ≤ 4	±0.1	±1°	PQ-3535(6+6P)	
			4 < L ≤ 16	±0.2		BOBBIN MATERIAL:	PHENOLIC
			16 < L ≤ 63	±0.3	UNIT:	MM	PIN MATERIAL:
			pin pitch	±0.2	SCALE:		CP WIRE
					DATE:	2008.06.05	PIN TENSION LOAD:
					DRAWING NO.	ZX-3535A	1.5KG MIN
					REV.	A01	



智信电子塑胶有限公司
 ZHI XIN ELECTRONICS PLASTIC CO., LTD.
 TEL:0769-86389901-2 FAX:0769-86389903



DATE: 2008.06.05

DRAWING NO. ZX-3535A

REV. A01