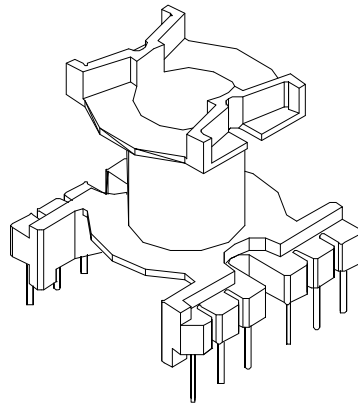
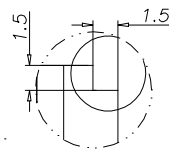
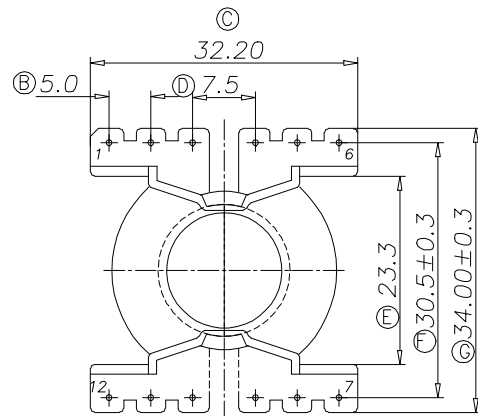
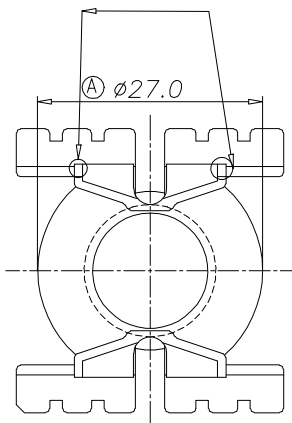


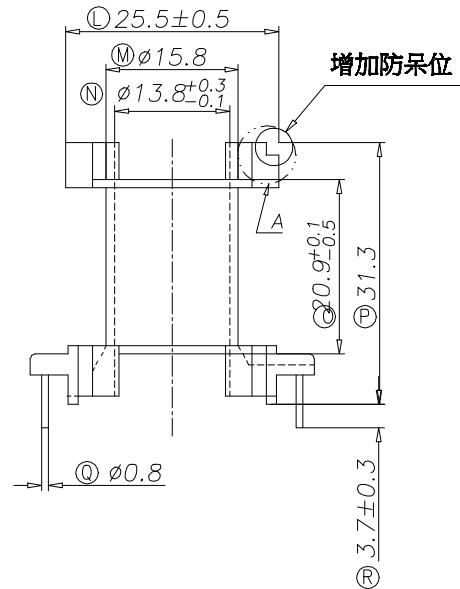
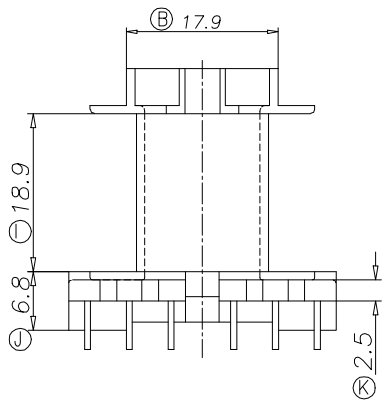
ZX-3230B



增加防呆位



A
2:1



REV.	REVISIONS REC.		DATE	REV.	REVISIONS REC.		DATE
1				4			
2				5			
3				6			
DRAWN & DRAFTED BY	LIU WEI QIANG	TOLERANCES		ANGLE:	TITLE: PQ-3230(6+6P)		
CHECKED & APPROVED BY	MA BU JIAN	0<L≤ 4 ±0.1	pin pitch	±1°	BOBBIN MATERIAL:	PHENOLIC	UL REC. UL 94V-0
		4<L≤ 16 ±0.2	±0.2	UNIT:	CP WIRE	PIN TENSION LOAD: 1.2KG MIN	
		16<L≤ 63 ±0.3		MM	DATE:	DRAWING NO.	REV.
智信电子塑胶有限公司				SCALE:	2013.05.23	ZX-3230B	A01
ZHI XIN ELECTRONICS PLASTIC CO., LTD.							
TEL:0769-86389901-2 FAX:0769-86389903							