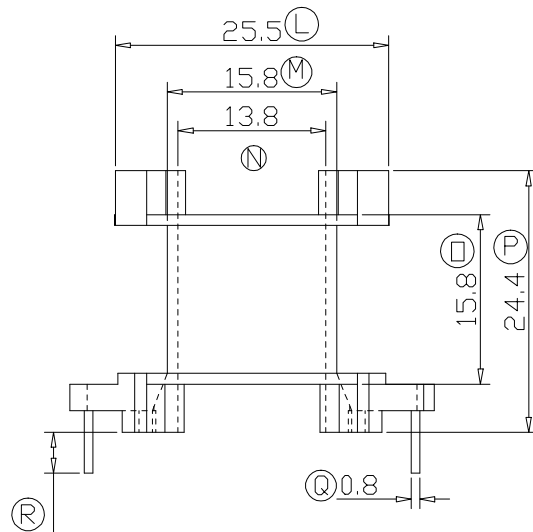
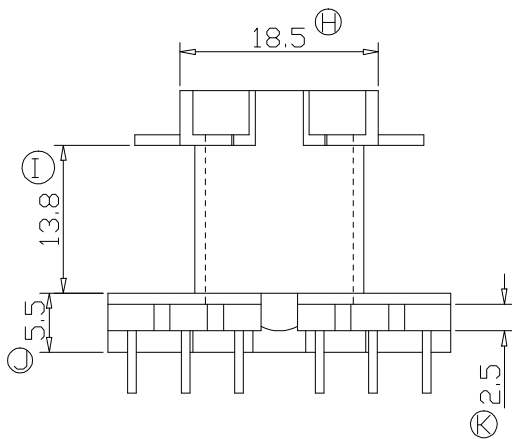
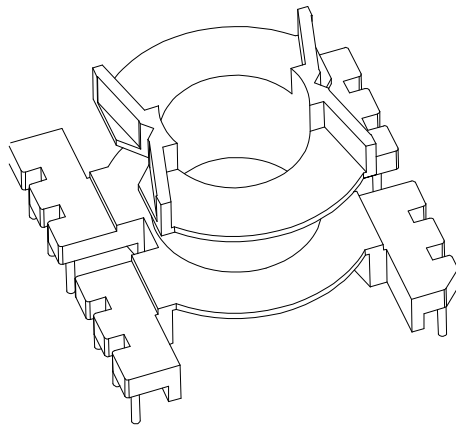
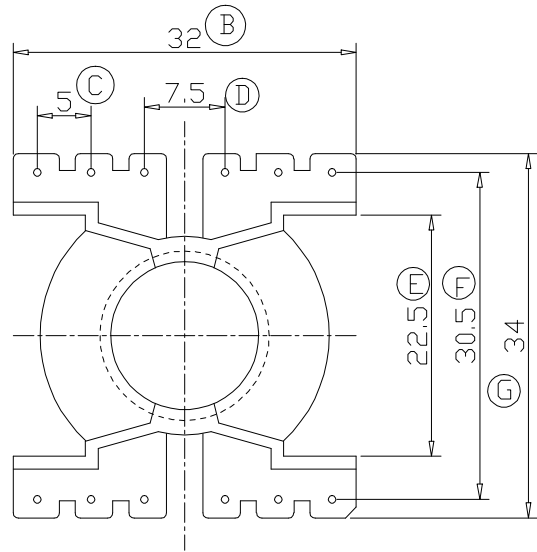
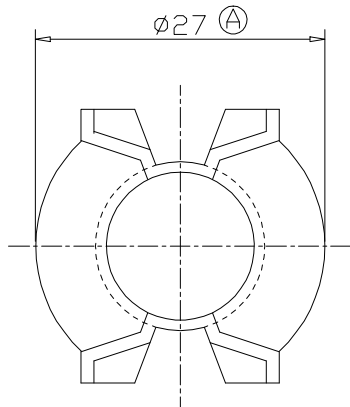


# ZX-3225A



REV.	REVISIONS REC.		DATE	REV.	REVISIONS REC.		DATE
1				4			
2				5			
3				6			
DRAWN & DRAFTED BY	LIU WEI QIANG	TOLERANCES		ANGLE:	TITLE: PQ-3225(6+6P)		
CHECKED & APPROVED BY	MA BU JIAN	0 < L ≤ 4 ±0.1	pin pitch	±1°	BOBBIN MATERIAL:	PM-9820	UL REC. UL 94V-0
		4 < L ≤ 16 ±0.2	±0.2	UNIT:	PIN MATERIAL:	CP WIRE	PIN TENSION LOAD: 1.2KG MIN
		16 < L ≤ 63 ±0.3		MM	SCALE:	DATE: 2008.07.21	DRAWING NO. ZX-3225A
<b>智信电子塑胶有限公司</b> ZHI XIN ELECTRONICS PLASTIC CO., LTD. TEL:0769-86389901-2 FAX:0769-86389903				DATE: 2008.07.21		DRAWING NO. ZX-3225A	
						REV. A01	