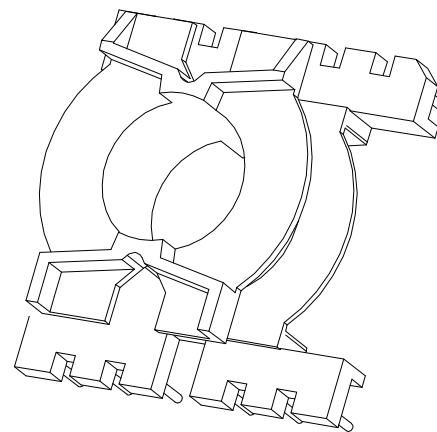
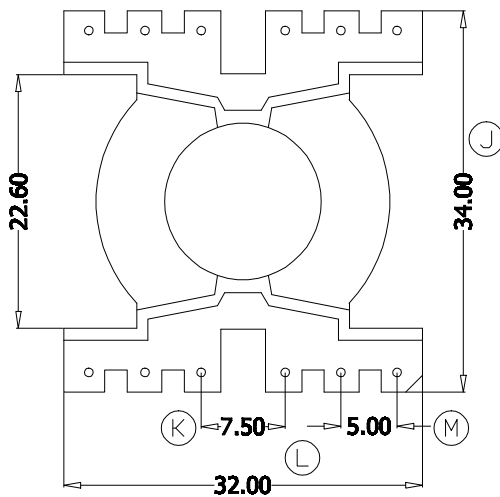
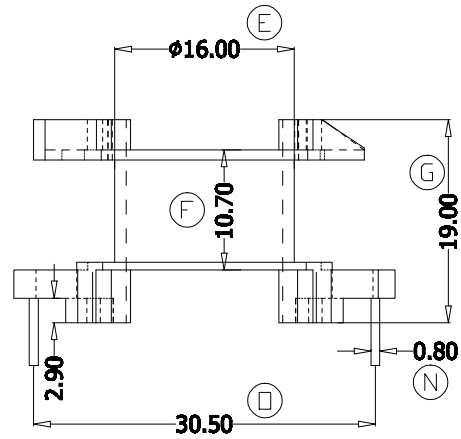
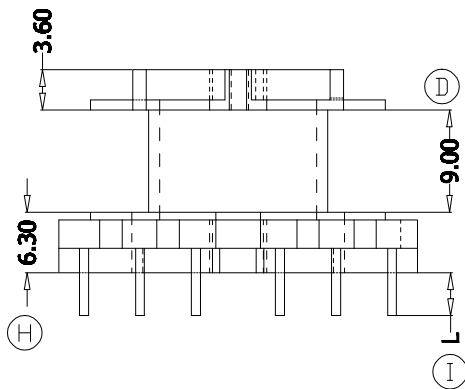
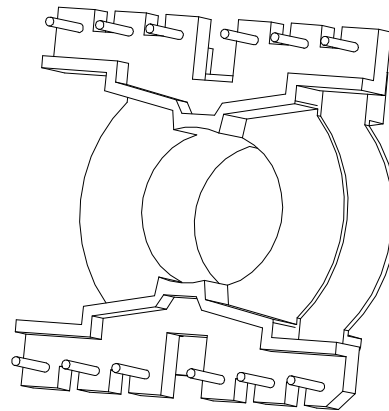
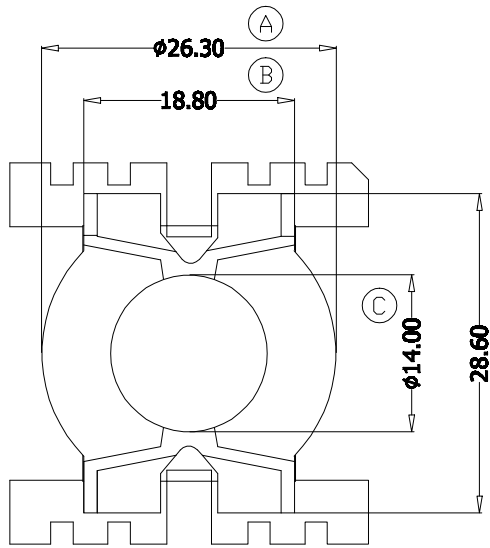


ZX-3220C



REV.	REVISIONS	REC.	DATE	REV.	REVISIONS	REC.	DATE
1	(H) 此尺寸变更前5.4变更后6.3		15.12.01	4			
2	(G) 此尺寸变更前18.1变更后19.0			5			
3				6			
DRAWN & DRAFTED BY		LIU WEI QIANG	TOLERANCES		ANGLE:		TITLE:
CHECKED & APPROVED BY		MA BU JIAN	$0 < L \leq 4 \pm 0.1$ $4 < L \leq 16 \pm 0.2$ $16 < L \leq 63 \pm 0.3$		$\pm 1^\circ$ UNIT: MM		PQ-3220(6+6P)
			pin pitch $\pm 0.2$		BOBBIN MATERIAL:		UL REC. UL 94V-0
					PIN MATERIAL:		PIN TENSION LOAD: 1.2KG MIN
			SCALE:		DATE:		DRAWING NO.
					2015.03.20		ZX-3220C
					REV. A01		



智信电子塑胶有限公司

ZHI XIN ELECTRONICS PLASTIC CO., LTD.  
 TEL:0769-86389901-2 FAX:0769-86389903