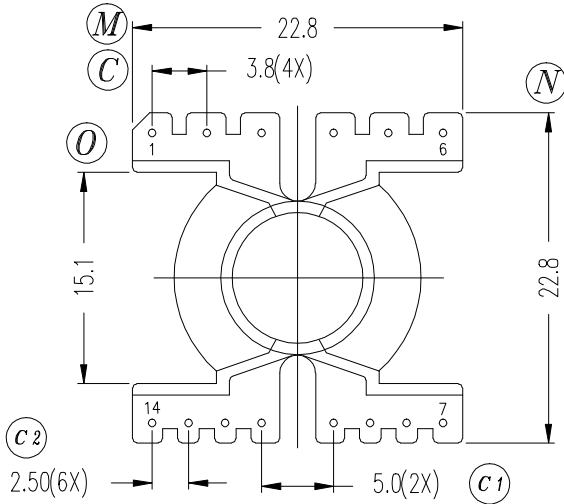
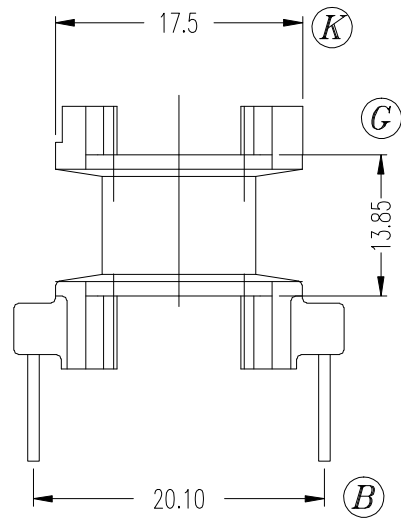
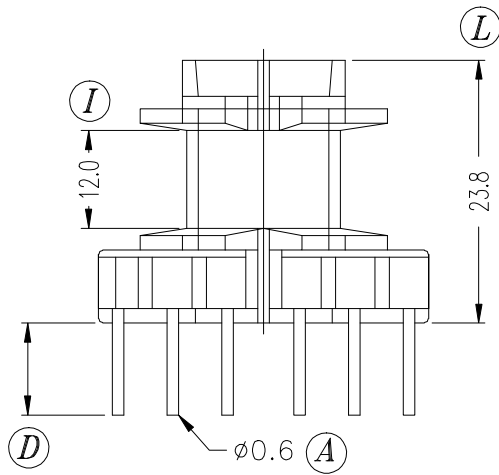
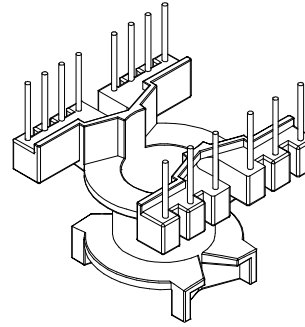
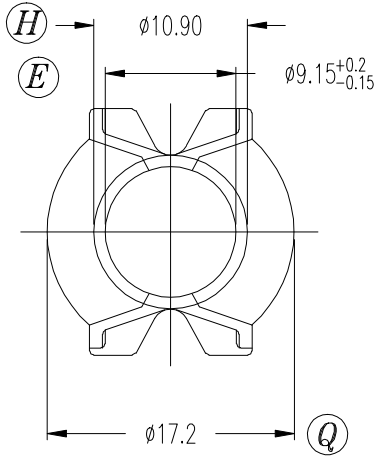


ZX-20AY



REV.	REVISIONS	REC.	DATE	REV.	REVISIONS	REC.	DATE
1				4			
2				5			
3				6			

DRAWN & DRAFTED BY LIU WEI QIANG	TOLERANCES		ANGLE: ±1°	TITLE: PQ-20(6+8P)			
	0<L≤4 ±0.1	pin pitch ±0.2		UNIT: MM	BOBBIN MATERIAL: PHENOLIC	UL REC. UL 94V-0	
CHECKED & APPROVED BY MA BU JIAN	4<L≤16 ±0.2			PIN MATERIAL: CP WIRE	PIN TENSION LOAD: 1.0KG MIN		
	16<L≤63 ±0.3		SCALE:	DATE: 2005.07.09	DRAWING NO. ZX-20AY	REV. A01	



智信电子塑胶有限公司

ZHI XIN ELECTRONICS PLASTIC CO., LTD.
TEL:0769-86389901-2 FAX:0769-86389903

