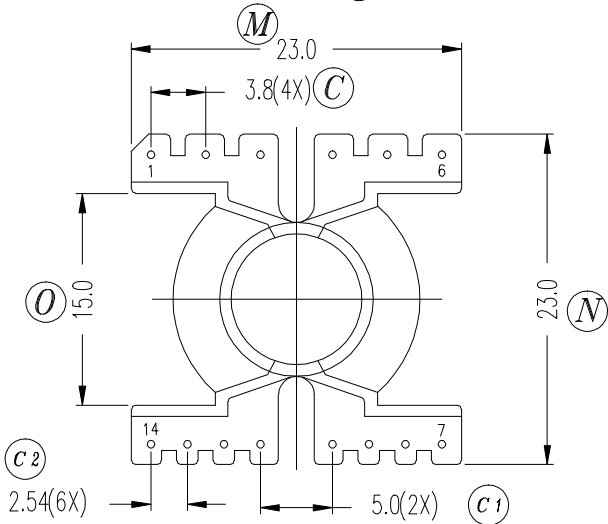
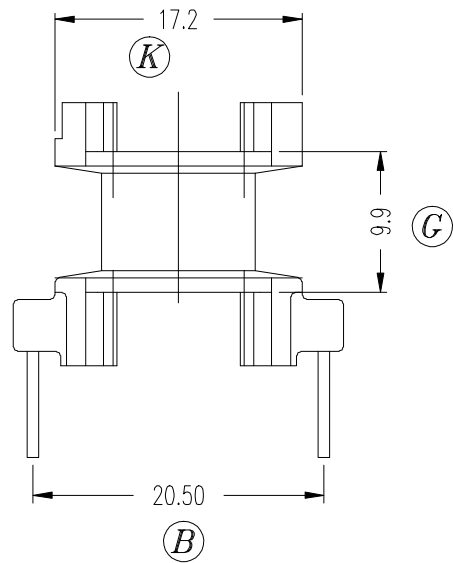
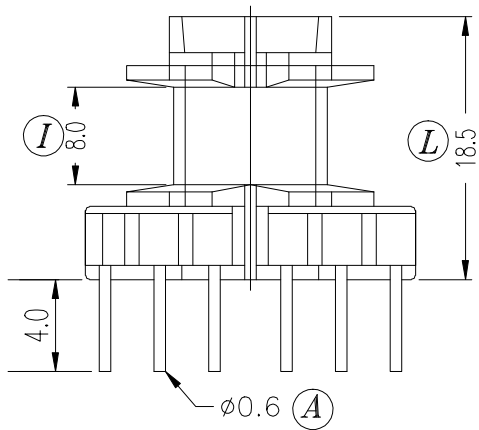
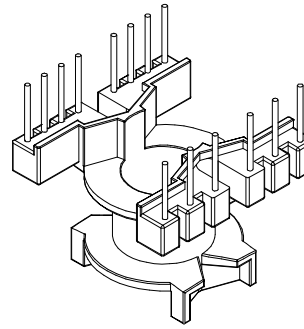
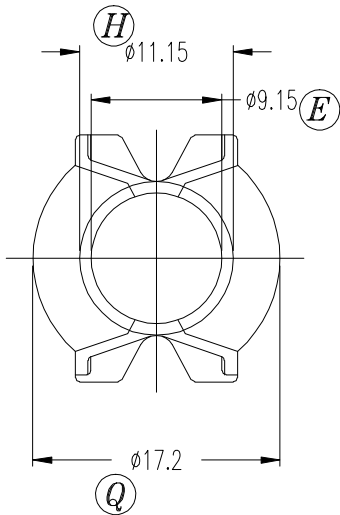


ZX-20AX



REV.	REVISIONS REC.		DATE	REV.	REVISIONS REC.		DATE	
1				4				
2				5				
3				6				
DRAWN & DRAFTED BY		LIU WEI QIANG	TOLERANCES		ANGLE: $\pm 1^\circ$			TITLE: PQ-20(6+8P)
CHECKED & APPROVED BY		MA BU JIAN	0 < L ≤ 4	± 0.1	pin pitch	UNIT: MM		BOBBIN MATERIAL: PHENOLIC
			4 < L ≤ 16	± 0.2				UL REC. UL 94V-0
			16 < L ≤ 63	± 0.3			PIN MATERIAL: CP WIRE	
							PIN TENSION LOAD: 1.0KG MIN	
智信电子塑胶有限公司 ZHI XIN ELECTRONICS PLASTIC CO., LTD. TEL:0769-86389901-2 FAX:0769-86389903		SCALE:		DATE: 2007.05.08	DRAWING NO. ZX-20AX		REV. A01	