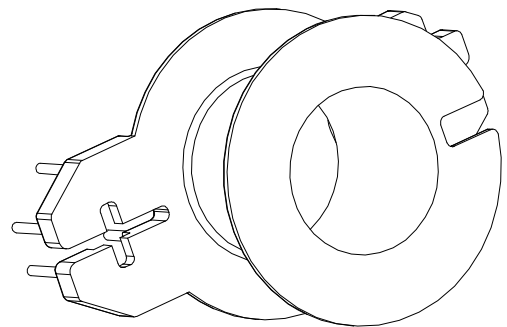
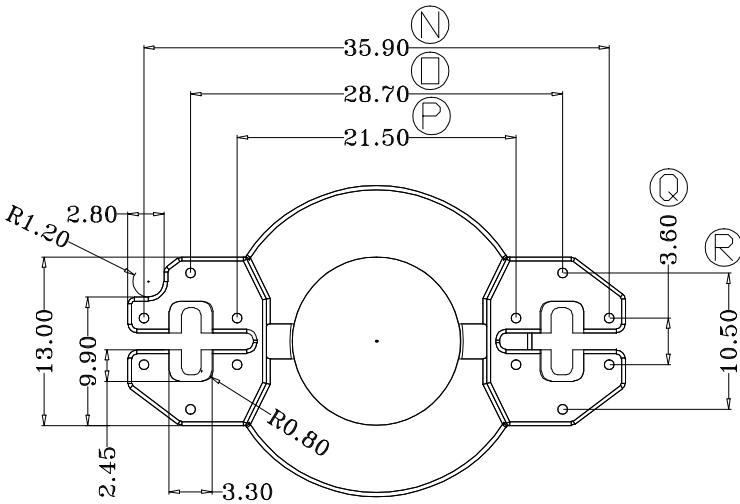
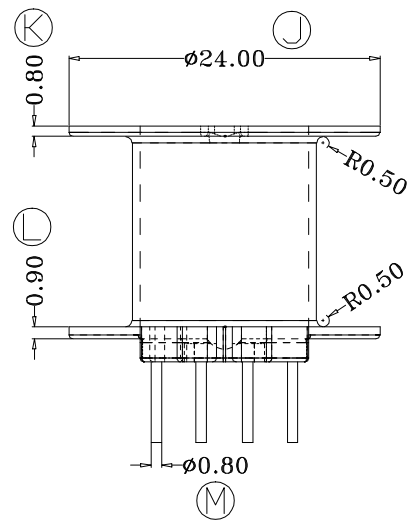
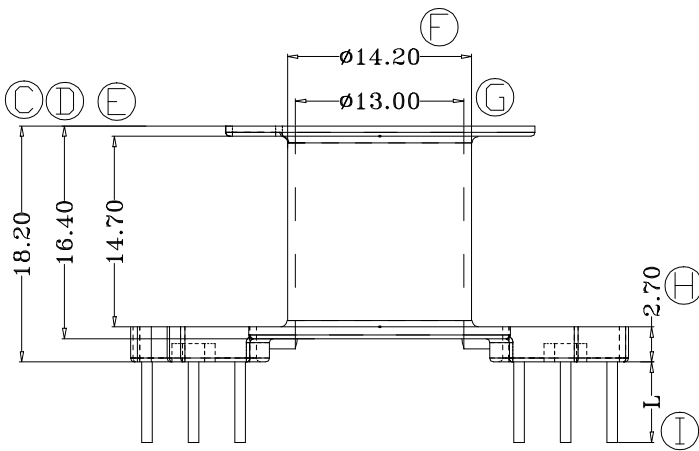
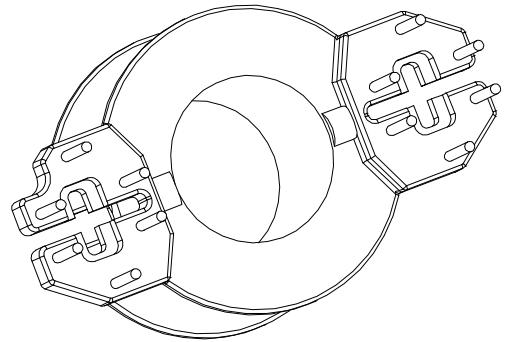
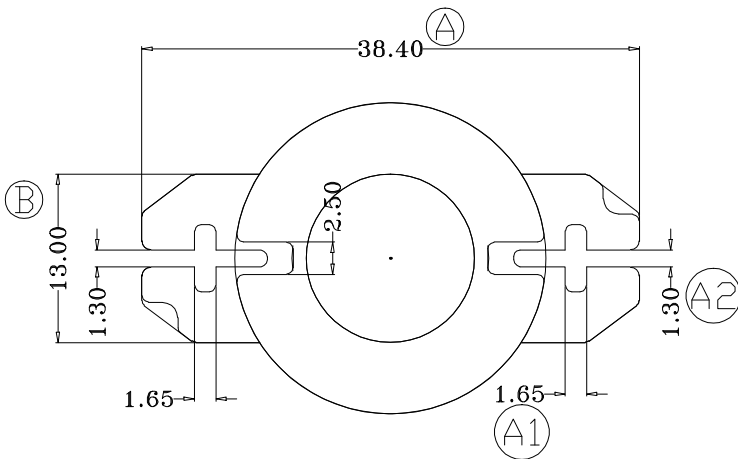


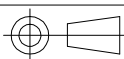
# ZX-12F



REV.	REVISIONS REC.		DATE	REV.	REVISIONS REC.		DATE
1	A1	由原来的1.50改为1.65		4			
2	A2	由原来的1.20改为1.30		5			
3				6			
DRAWN & DRAFTED BY		LIU WEI QIANG	TOLERANCES		ANGLE:		TITLE:
CHECKED & APPROVED BY		MA BU JIAN	0 < L ≤ 4 ±0.1	pin pitch	±1°		TITLE: RM-12(6+6P)
			4 < L ≤ 16 ±0.2		UNIT:	BOBBIN MATERIAL:	UL REC.
			16 < L ≤ 63 ±0.3		MM	PHENOLIC	UL 94V-0
					SCALE:	PIN MATERIAL:	PIN TENSION LOAD:
						CP WIRE	1.2kg MIN.
						DATE:	DRAWING NO.
						2017.09.05	ZX-12F
							REV. A02



智信电子塑胶有限公司  
 ZHI XIN ELECTRONICS PLASTIC CO., LTD.  
 TEL:0769-86389901-2 FAX:0769-86389903



DATE: 2017.09.05

DRAWING NO. ZX-12F

REV. A02