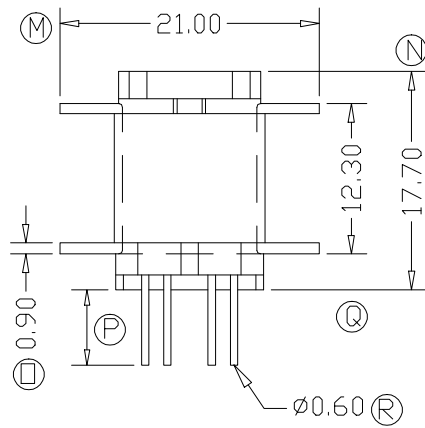
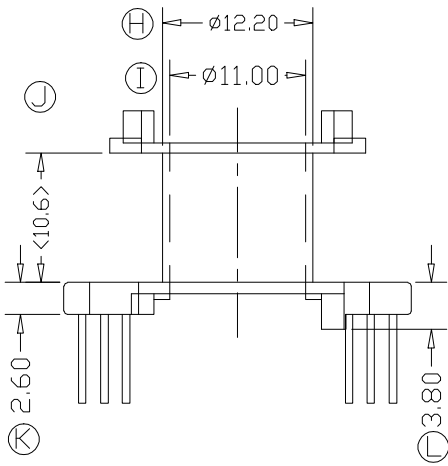
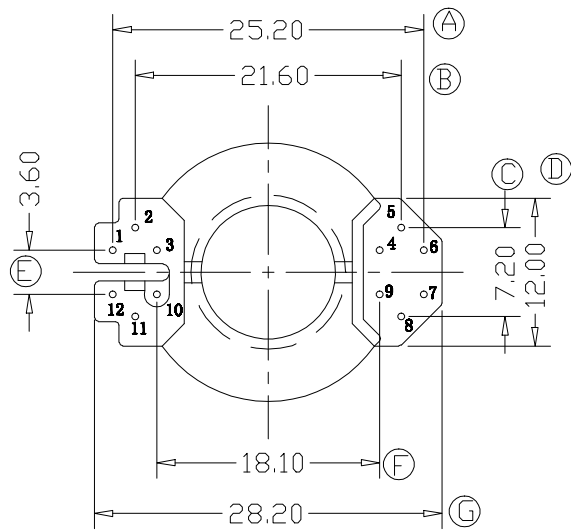
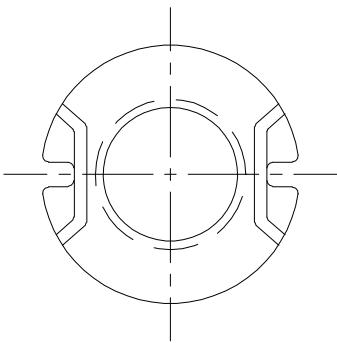
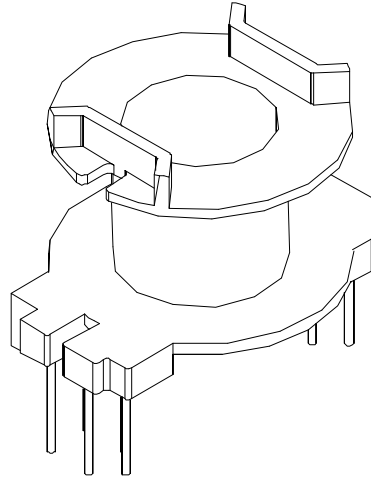


ZX-10D



REV.	REVISIONS REC.		DATE	REV.	REVISIONS REC.		DATE
1				4			
2				5			
3				6			
DRAWN & DRAFTED BY	LIU WEI QIANG	TOLERANCES		ANGLE:	TITLE: RM-10(6+6P)		
CHECKED & APPROVED BY	MA BU JIAN	0 <math><L \leq 4</math> $\pm 0.1</math>$	pin pitch	$\pm 1^\circ</math>$	BOBBIN MATERIAL:	PHENOLIC	UL REC. UL 94V-0
		4 <math><L \leq 16</math> $\pm 0.2</math>$	$\pm 0.2</math>$	UNIT:			
		16 <math><L \leq 63</math> $\pm 0.3</math>$		MM	PIN MATERIAL:	CP WIRE	PIN TENSION LOAD: 0.8KG MIN
SCALE:				DATE:	DRAWING NO.	REV.	
智信电子塑胶有限公司 ZHI XIN ELECTRONICS PLASTIC CO., LTD. TEL:0769-86389901-2 FAX:0769-86389903				2011.06.08	ZX-10D	A01	