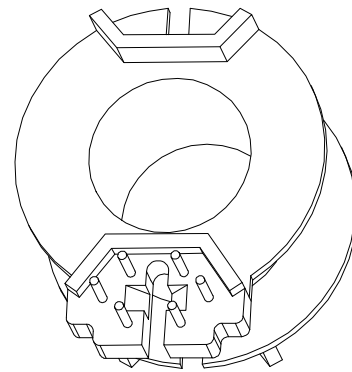
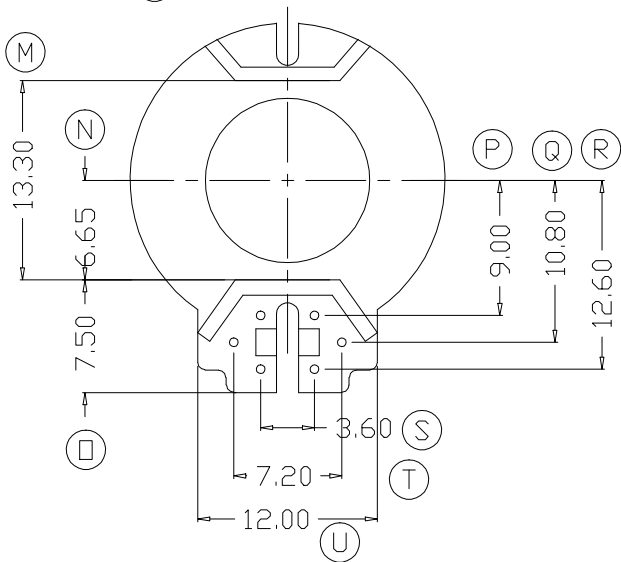
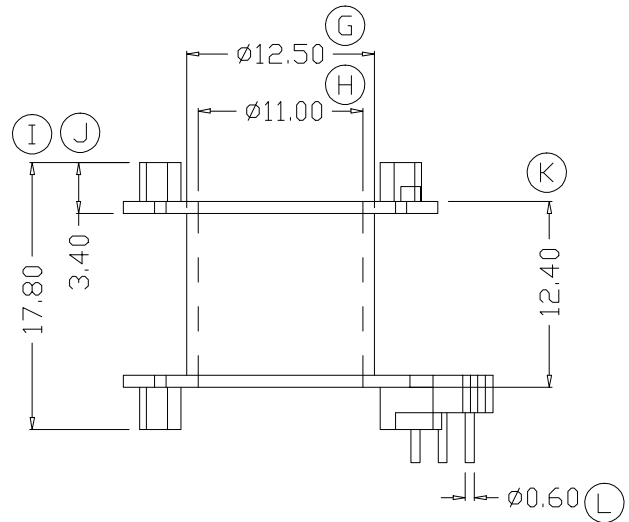
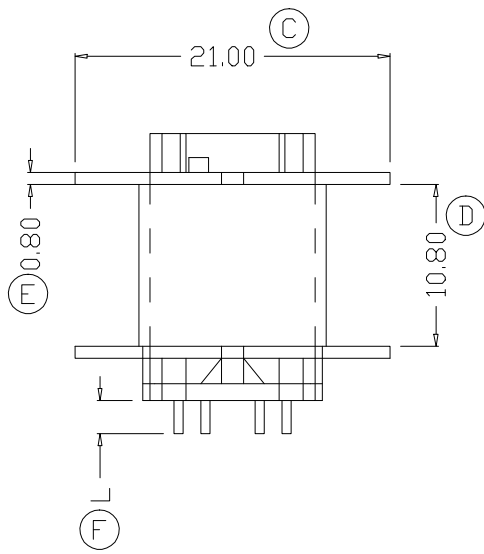
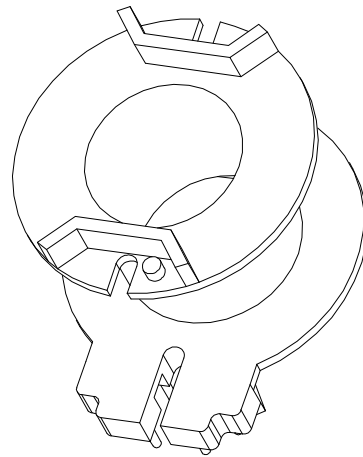
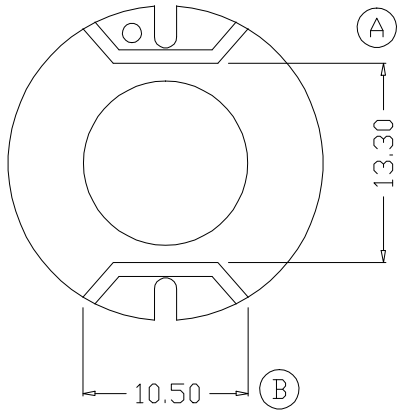


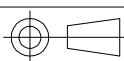
ZX-10C



| REV. | REVISIONS | REC. | DATE | REV. | REVISIONS | REC. | DATE |
|-----------------------|-----------|---------------|------|---|-----------|----------------------|------|
| 1 | | | | 4 | | | |
| 2 | | | | 5 | | | |
| 3 | | | | 6 | | | |
| DRAWN & DRAFTED BY | | LIU WEI QIANG | | TOLERANCES | | ANGLE: $\pm 1^\circ$ | |
| CHECKED & APPROVED BY | | LI JUN | | $0 < L \leq 4 \pm 0.1$ $4 < L \leq 16 \pm 0.2$ $16 < L \leq 63 \pm 0.3$ | | UNIT: MM SCALE: | |
| TITLE: | | RM-10(3+3P) | | BOBBIN MATERIAL: | | PHENOLIC | |
| PIN MATERIAL: | | CP WIRE | | UL REC. | | UL 94V-0 | |
| DATE: | | 2011.02.06 | | DRAWING NO. | | ZX-10C | |
| REV. A01 | | | | PIN TENSION LOAD: | | 1.2KG MIN. | |



智信电子塑胶有限公司
 ZHI XIN ELECTRONICS PLASTIC CO., LTD.
 TEL:0769-86389901-2 FAX:0769-86389903



DATE: 2011.02.06

DRAWING NO.

ZX-10C

REV. A01