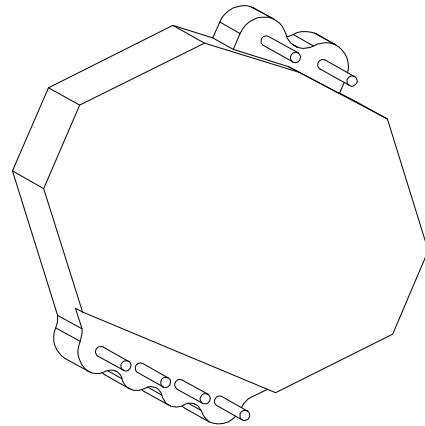
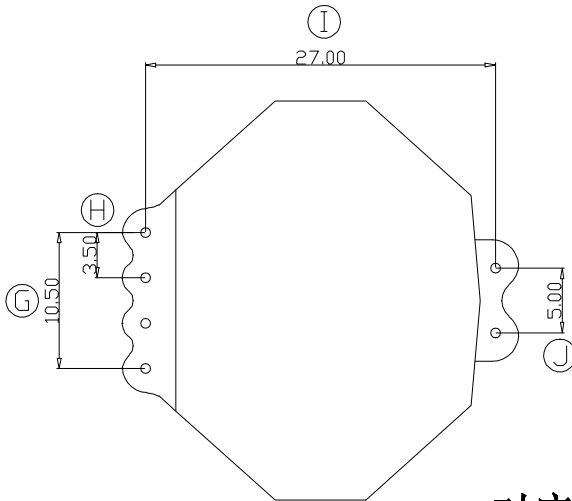
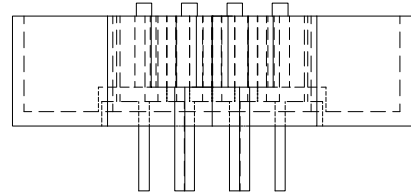
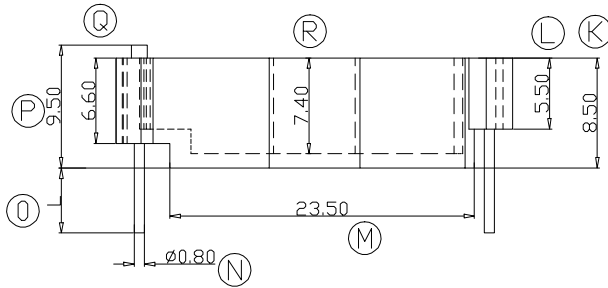
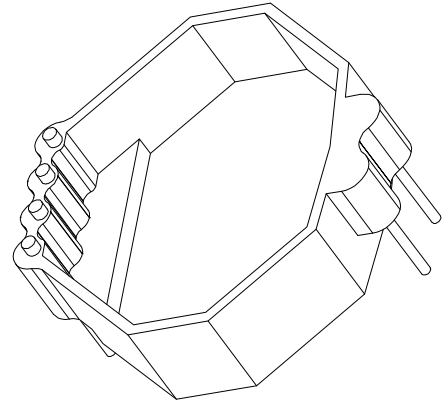
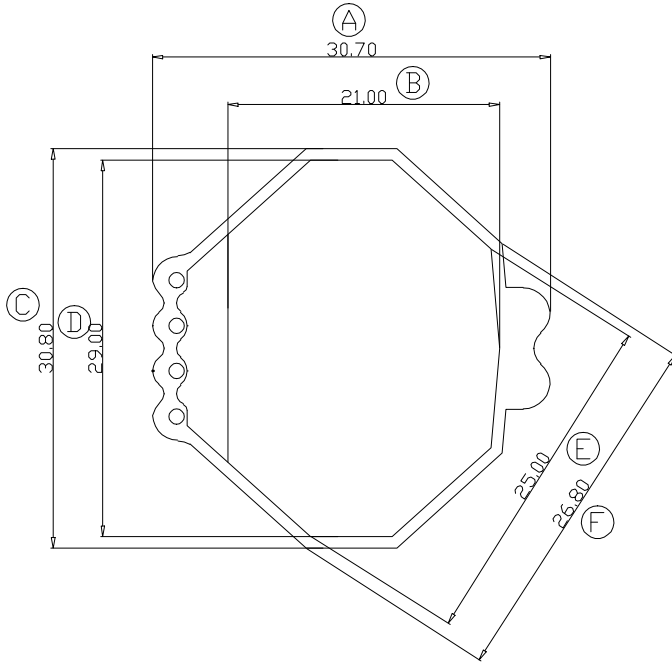


# ZX-10AJ1



对应ZX-10AJ

REV.	REVISIONS REC.		DATE	REV.	REVISIONS REC.		DATE
1				4			
2				5			
3				6			
DRAWN & DRAFTED BY	LIU WEI QIANG	TOLERANCES		ANGLE:	TITLE: CASE(2+4P)		
CHECKED & APPROVED BY	LI JUN	0<L≤4 ±0.1	pin pitch ±0.2	UNIT:	BOBBIN MATERIAL:	UL REC. UL 94V-0	
		4<L≤16 ±0.2		MM	PIN MATERIAL:	CP WIRE	
		16<L≤63 ±0.3		SCALE:	PIN TENSION LOAD:	1.2KG MIN.	
<b>智信电子塑胶有限公司</b> ZHI XIN ELECTRONICS PLASTIC CO., LTD. TEL:0769-86389901-2 FAX:0769-86389903				DATE:	DRAWING NO.	REV.	
				2018.12.08	ZX-10AJ1	A01	