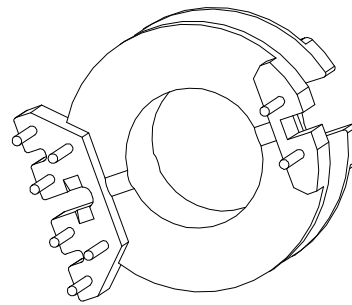
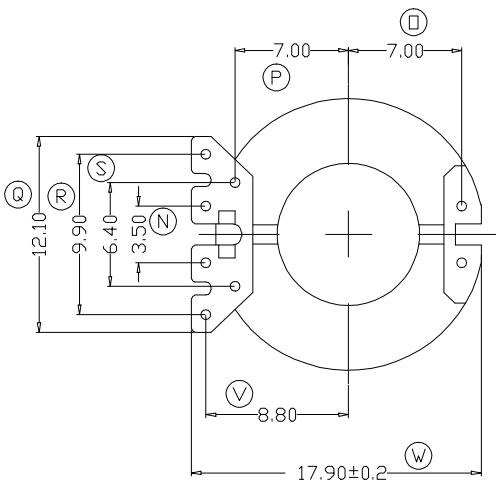
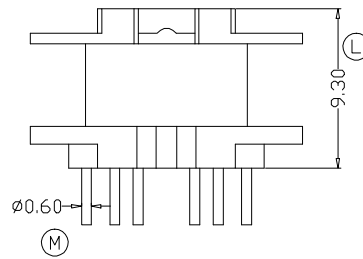
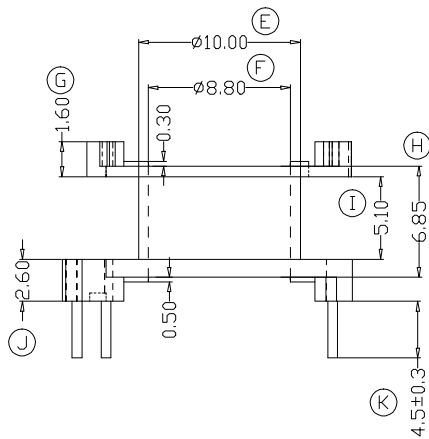
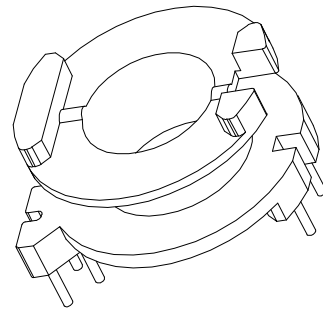
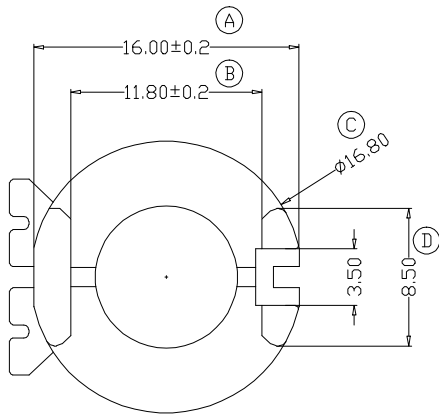

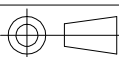


# ZX-8J



REV.	REVISIONS REC.	DATE	REV.	REVISIONS REC.	DATE
1			4		
2			5		
3			6		
DRAWN & DRAFTED BY <b>LIU WEI QIANG</b>		TOLERANCES 0<L<4 ±0.1 pin pitch 4<L<16 ±0.2 16<L<63 ±0.3 ±0.2		TITLE: <b>RM-8(2+6P)</b>	
CHECKED & APPROVED BY <b>MA BU JIAN</b>		ANGLE: ±1° UNIT: MM		BOBBIN MATERIAL: <b>PM-9820</b> UL REC. <b>UL 94V-0</b>	
 <b>智信电子塑胶有限公司</b> ZHI XIN ELECTRONICS PLASTIC CO., LTD. TEL: 0769-86389901-2 FAX: 0769-86389903		SCALE:		PIN MATERIAL: <b>CP WIRE</b> PIN TENSION LOAD: <b>1.0KG MIN</b>	
				DATE: <b>2017.04.12</b>	
			DRAWING NO. <b>ZX-8J</b>		REV. <b>A01</b>