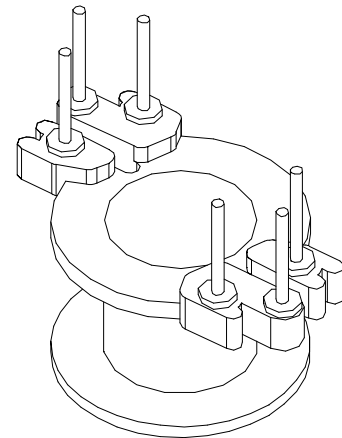
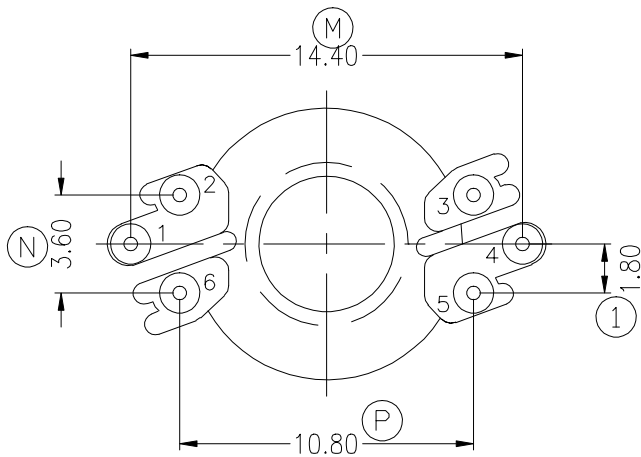
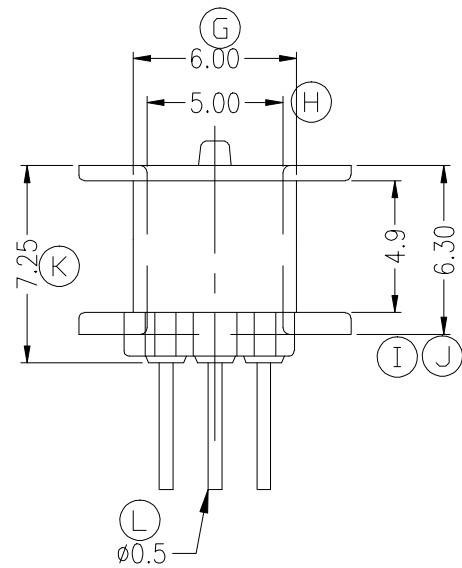
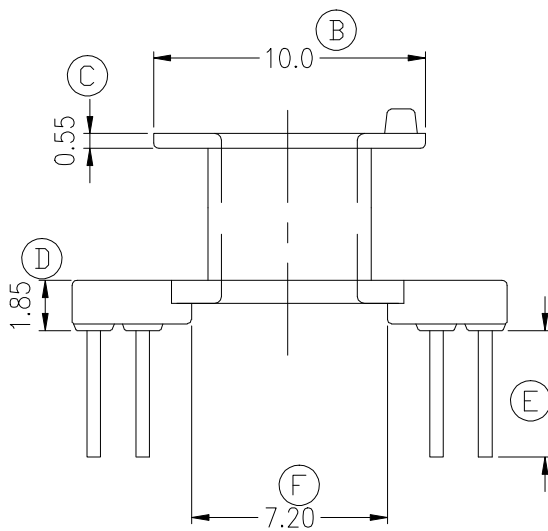
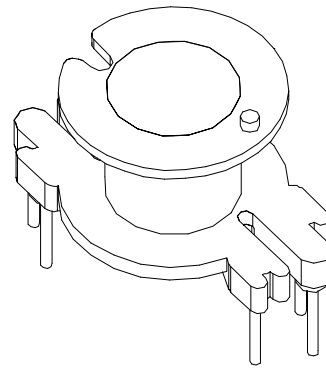
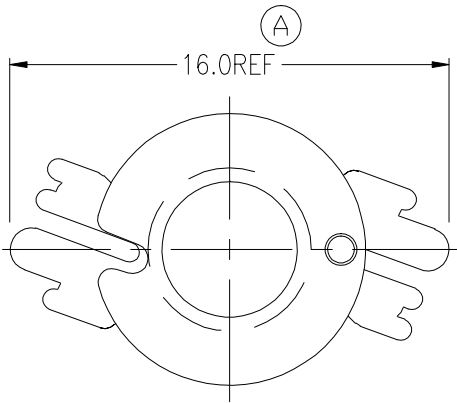


ZX-5A



REV.	REVISIONS REC.	DATE	REV.	REVISIONS REC.	DATE
1			4		
2			5		
3			6		
DRAWN & DRAFTED BY	LIU WEI QIANG	TOLERANCES		ANGLE:	TITLE:
CHECKED & APPROVED BY	MA BU JIAN	0<L<4 ±0.1	pin pitch	±1°	RM-5 (3+3P)
		4<L<16 ±0.2		UNIT: MM	BOBBIN MATERIAL: PHENOLIC
		16<L<63 ±0.3	±0.2	SCALE:	UL REC. UL 94V-0
智信电子塑胶有限公司		ZHI XIN ELECTRONICS PLASTIC CO., LTD.		DATE: 2009. 11. 12	DRAWING NO. ZX-5A
TEL:0769-86389901-2 FAX:0769-86389903					PIN MATERIAL: CP WIRE
					PIN TENSION LOAD: 0.7KG MIN
					REV. A01