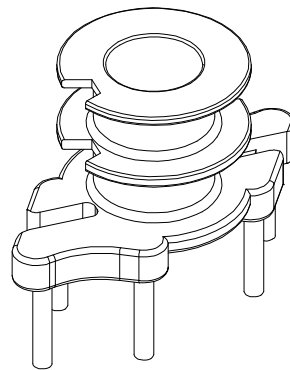
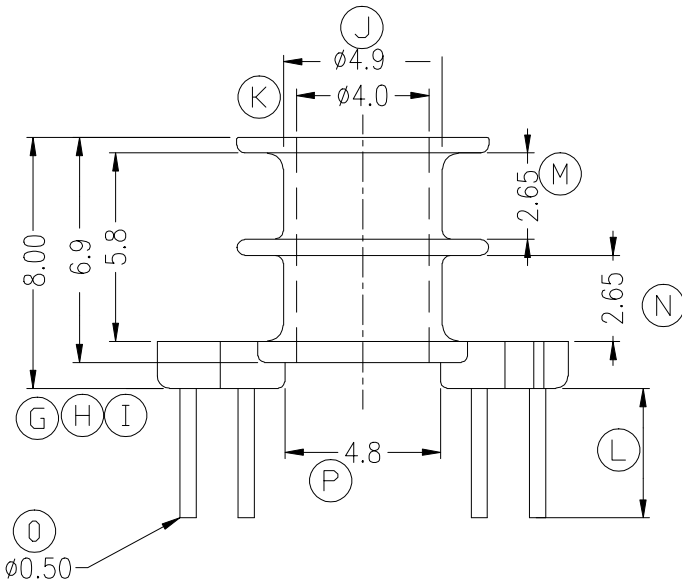
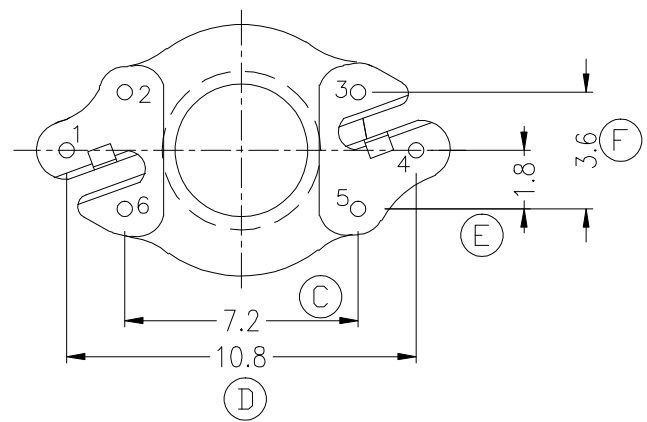
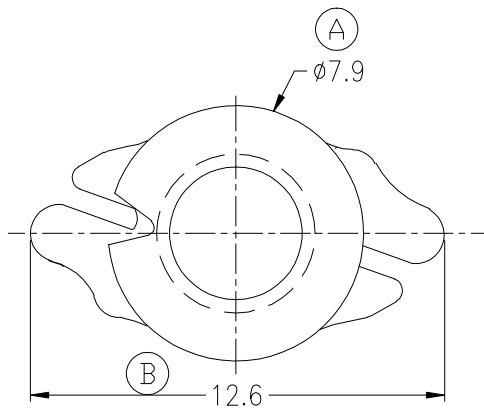
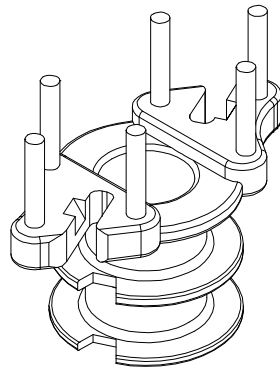


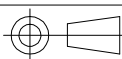
ZX-4A



REV.	REVISIONS	REC.	DATE	REV.	REVISIONS	REC.	DATE
1				4			
2				5			
3				6			
DRAWN & DRAFTED BY		LIU WEI QIANG		TOLERANCES		ANGLE: ±1°	
CHECKED & APPROVED BY		MA BU JIAN		0<L<4 ±0.1 pin pitch		TITLE: RM-4 (3+3P) 2S	
				4<L<16 ±0.2		BOBBIN MATERIAL: PHENOLIC	
				16<L<63 ±0.3 ±0.2		UL REC. UL 94V-0	
				SCALE:		PIN MATERIAL: CP WIRE	
				DATE: 2011.08.15		DRAWING NO. ZX-4A	
						PIN TENSION LOAD: 0.7KG MIN	
						REV. A01	



智信电子塑胶有限公司
ZHI XIN ELECTRONICS PLASTIC CO., LTD.
TEL:0769-86389901-2 FAX:0769-86389903



DATE:

2011.08.15

DRAWING NO.

ZX-4A

REV.

A01