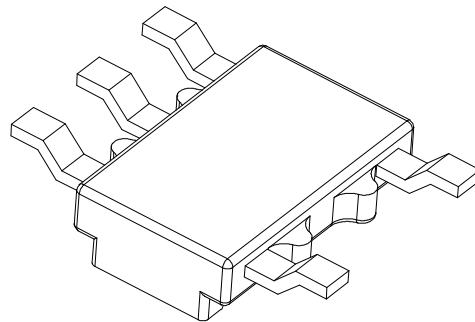
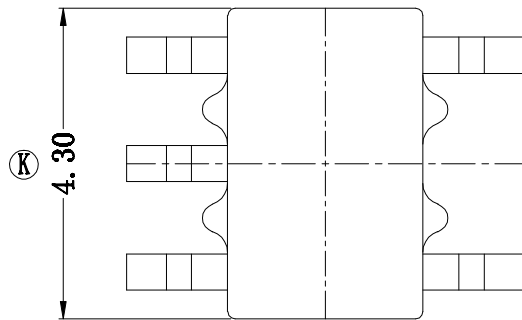
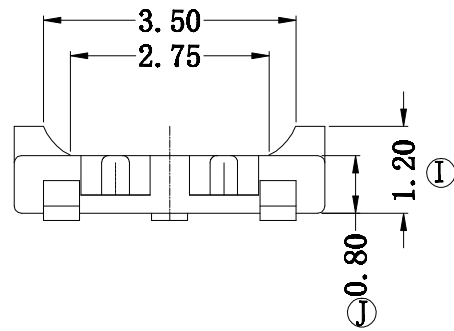
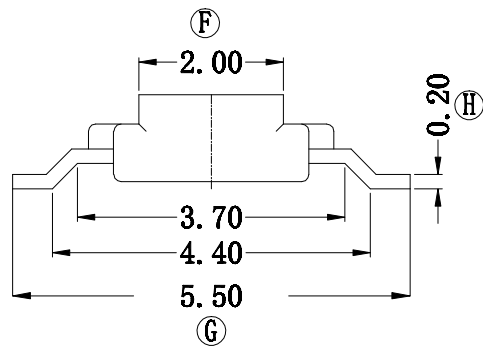
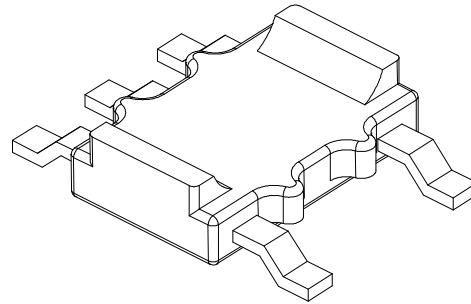
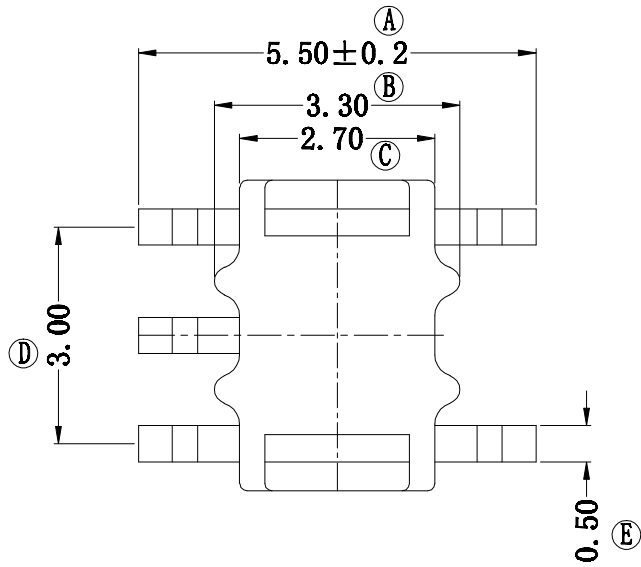


ZXS-B003



REV.	REVISIONS	REC.	DATE	REV.	REVISIONS	REC.	DATE
1				4			
2				5			
3				6			
DRAWN & DRAFTED BY		LIU WEI QIANG		TOLERANCES		ANGLE: ±1°	
CHECKED & APPROVED BY		LI JUN		pin pitch ±0.2		TITLE: SMD BASE(3+2P)	
		0 < L ≤ 4 ±0.1		UNIT: MM		BOBBIN MATERIAL: PM-9630	
		4 < L ≤ 16 ±0.2		SCALE:		UL REC. UL 94V-0	
		16 < L ≤ 63 ±0.3		DATE: 2018.01.16		PIN TENSION LOAD: 0.8KG MIN	
智信电子塑胶有限公司 ZHI XIN ELECTRONICS PLASTIC CO., LTD. TEL:0769-86389901-2 FAX:0769-86389903				DRAWING NO. ZXS-B003		REV. A01	