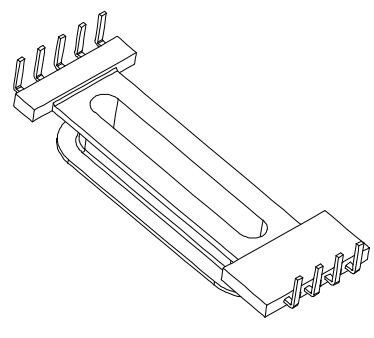
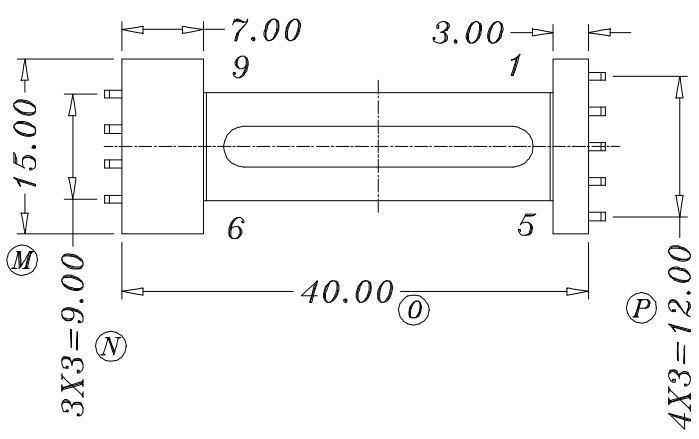
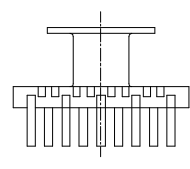
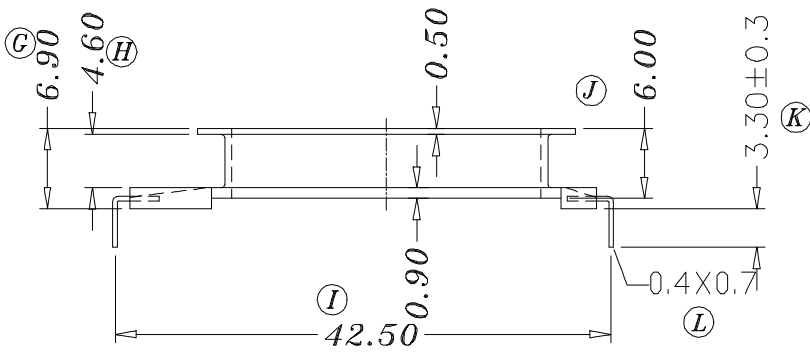
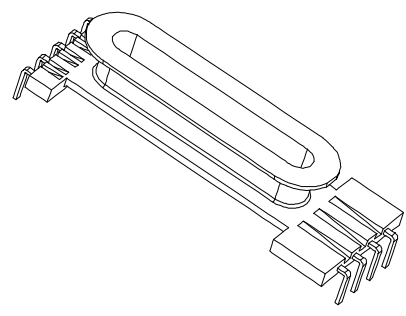
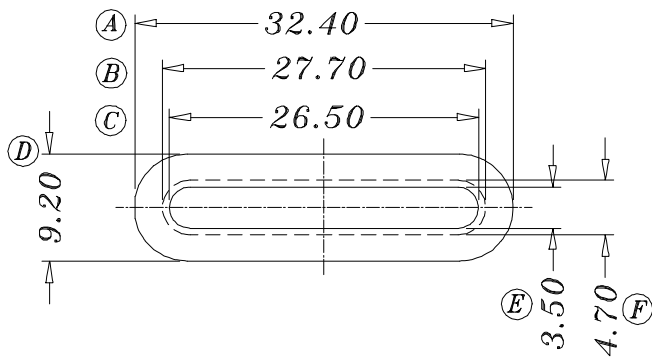


ZXS-28A



REV.	REVISIONS REC.		DATE	REV.	REVISIONS REC.		DATE		
1				4					
2				5					
3				6					
DRAWN & DRAFTED BY		LIU WEI QIANG		TOLERANCES		ANGLE: ±1°		TITLE: EDR-28(5+4P)	
CHECKED & APPROVED BY		MA BU JIAN		0<L≤4 ±0.1 4<L≤16 ±0.2 16<L≤ 63±0.30		pin pitch ±0.2		BOBBIN MATERIAL: PHENOLIC	
				UNIT: MM		PIN MATERIAL: CP WIRE		UL REC. UL 94V-0	
				SCALE:		PIN TENSION LOAD: 0.8KG MIN			
		智信电子塑胶有限公司 ZHI XIN ELECTRONICS PLASTIC CO., LTD. TEL:0769-86389901-2 FAX:0769-86389903				DATE: 2013.01.08		DRAWING NO. ZXS-28A	
								REV. A03	