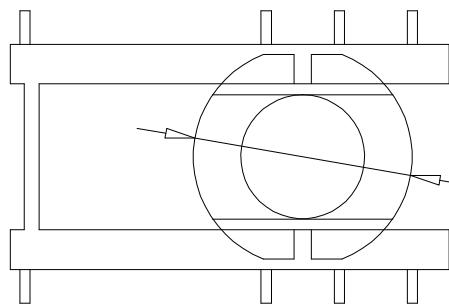
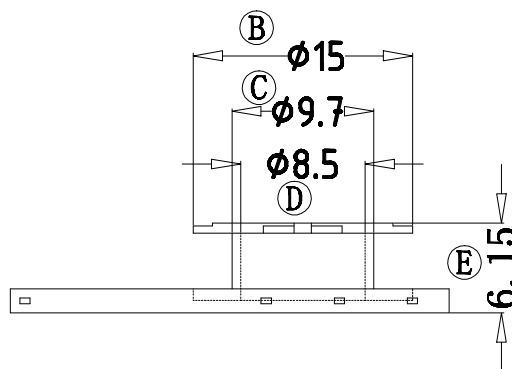
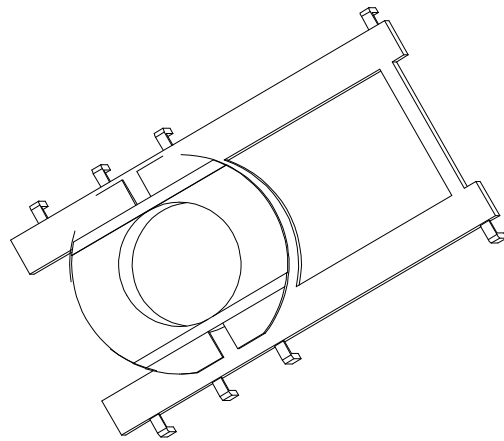


ZXS-25A



∅15 (A)



(B)

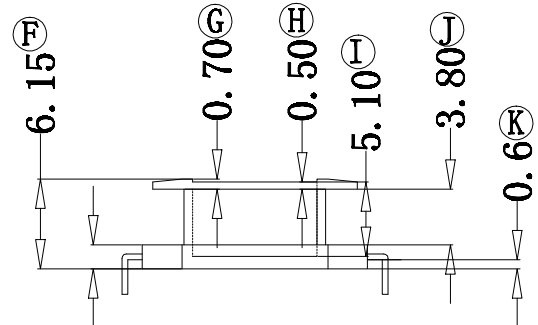
∅15

(C) ∅9.7

∅8.5

(D)

(E) 6.15



(F) 6.15

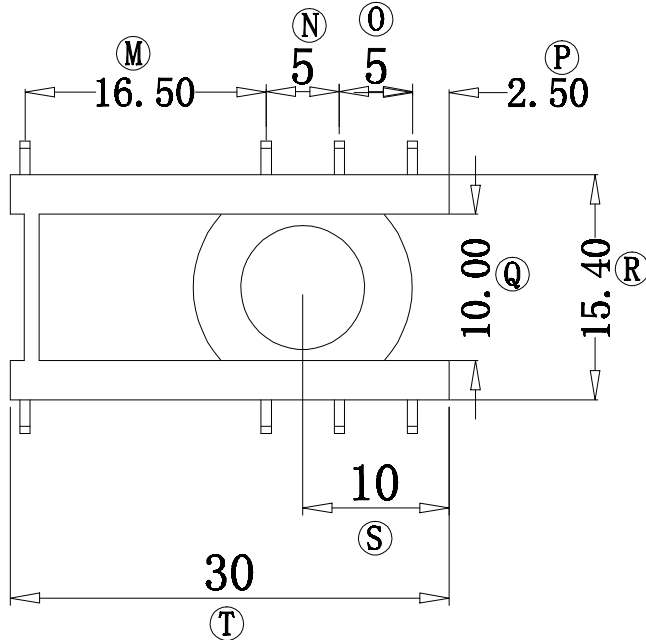
(G) 0.70

(H) 0.50

(I) 5.10

(J) 3.80

(K) 0.6



(M) 16.50

(N) 5

(O) 5

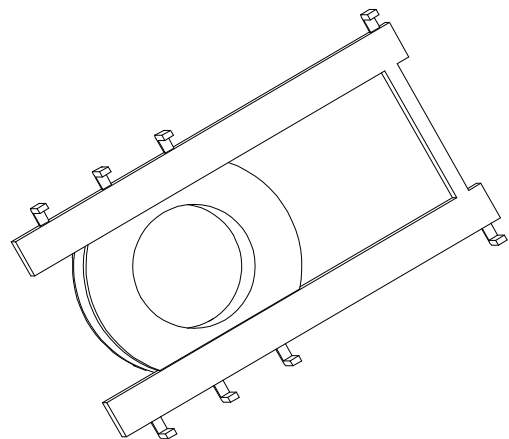
(P) 2.50

(Q) 10.00

(R) 15.40

(S) 10

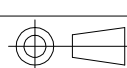
(T) 30



REV.	REVISIONS	REC.	DATE	REV.	REVISIONS	REC.	DATE
1				4			
2				5			
3				6			
DRAWN & DRAFTED BY		LIU WEI QIANG		TOLERANCES		ANGLE: ±1°	
CHECKED & APPROVED BY		LI JUN		pin pitch		TITLE: EF-25(4+4P)	
		0<L≤4 ±0.1		UNIT: MM		BOBBIN MATERIAL: PHENOLIC	
		4<L≤16 ±0.2		SCALE:		UL REC. UL 94V-0	
		16<L≤63 ±0.3		DATE: 2011.05.12		PIN MATERIAL: CP WIRE	
				DRAWING NO. ZXS-25A		PIN TENSION LOAD: 1.0KG MIN	
				REV. A01			



智信电子塑胶有限公司
ZHI XIN ELECTRONICS PLASTIC CO., LTD.
TEL:0769-86389901-2 FAX:0769-86389903



DATE: 2011.05.12

DRAWING NO. ZXS-25A

REV. A01