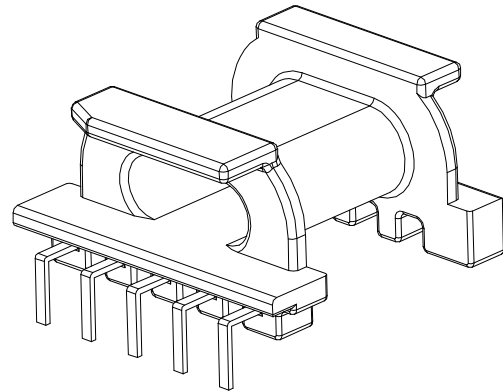
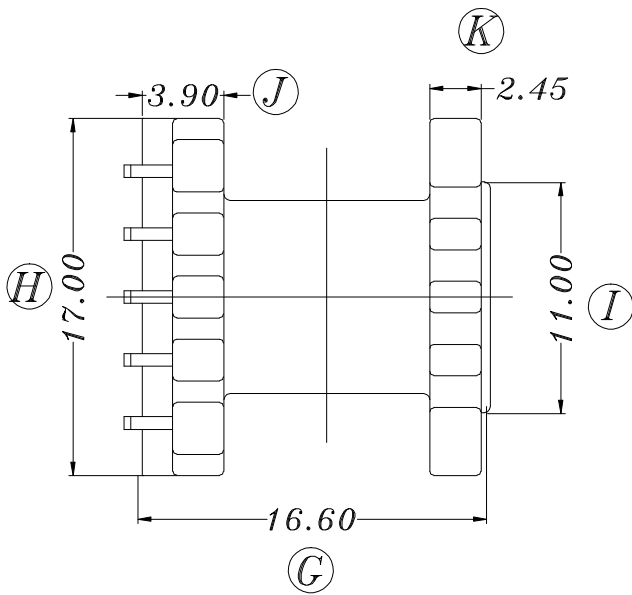
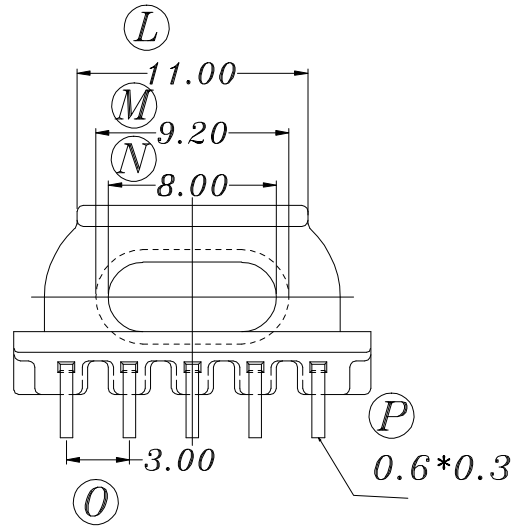
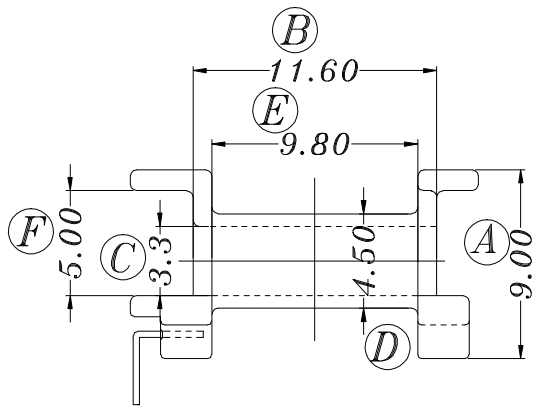


ZXS-17A



| REV. | REVISIONS REC. | | DATE | REV. | REVISIONS REC. | | DATE | | | | | | | |
|-----------------------|----------------|---|------|--|----------------|------------------------------|-----------|-----------|--------|-----------|---------|-----------|----------|--|
| 1 | | | | 4 | | | | | | | | | | |
| 2 | | | | 5 | | | | | | | | | | |
| 3 | | | | 6 | | | | | | | | | | |
| DRAWN & DRAFTED BY | | LIU WEI QIANG | | TOLERANCES | | ANGLE: $\pm 1^\circ$ | | | | | | | | |
| CHECKED & APPROVED BY | | MABUJIAN | | <table border="1"> <tr> <td>0 < 4</td> <td>± 0.1</td> <td rowspan="3">pin pitch</td> </tr> <tr> <td>4 < 16</td> <td>± 0.2</td> </tr> <tr> <td>16 < 63</td> <td>± 0.3</td> </tr> </table> | | 0 < 4 | ± 0.1 | pin pitch | 4 < 16 | ± 0.2 | 16 < 63 | ± 0.3 | UNIT: MM | |
| 0 < 4 | ± 0.1 | pin pitch | | | | | | | | | | | | |
| 4 < 16 | ± 0.2 | | | | | | | | | | | | | |
| 16 < 63 | ± 0.3 | | | | | | | | | | | | | |
| SCALE: | | TITLE: EPC-17(5P) | | BOBBIN MATERIAL: PHENOLIC | | UL REC. UL 94V-0 | | | | | | | | |
| DATE: 2006.02.22 | | PIN MATERIAL: CP WIRE | | DRAWING NO. ZXS-17A | | PIN TENSION LOAD: 0.8KG MIN. | | | | | | | | |
| | | 智信电子塑胶有限公司 ZHI XIN ELECTRONICS PLASTIC CO., LTD. TEL:0769-86389901-2 FAX:0769-86389903 | | | | REV. A03 | | | | | | | | |