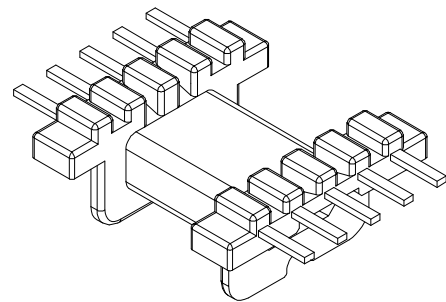
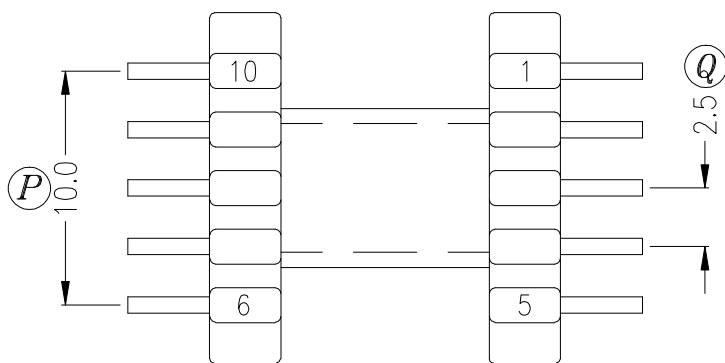
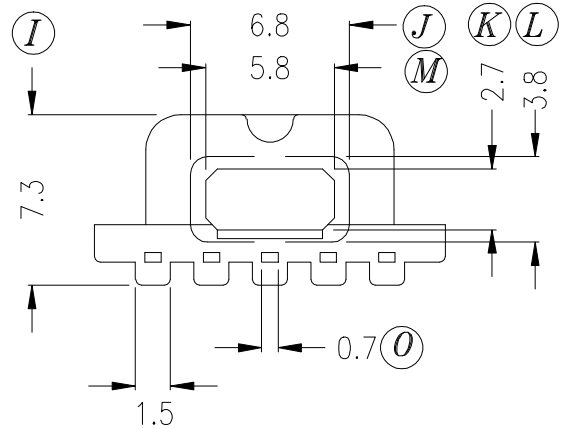
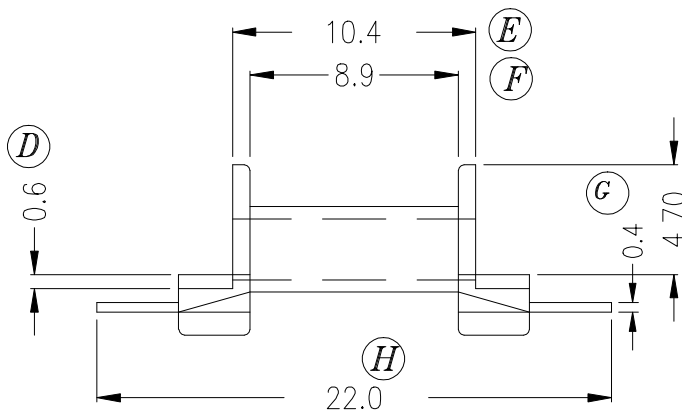
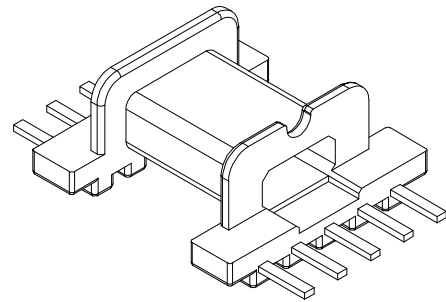
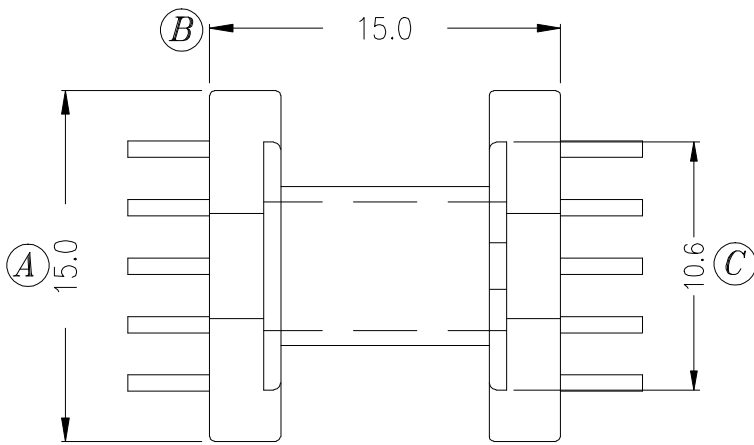

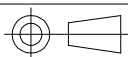


ZXS-15G



REV.	REVISIONS REC.		DATE	REV.	REVISIONS REC.		DATE
1				4			
2				5			
3				6			
DRAWN & DRAFTED BY		LIU WEI QIANG	TOLERANCES		ANGLE: $\pm 1^\circ$		TITLE: EPC-15(5+5P)
CHECKED & APPROVED BY		MA BU JIAN	0<L≤4 ±0.1	pin pitch ±0.2	UNIT: MM		BOBBIN MATERIAL: PHENOLIC
			4<L≤16 ±0.2				UL REC. UL 94V-0
			16<L≤63 ±0.3	SCALE:		PIN MATERIAL: C5191	PIN TENSION LOAD: 1.0KG MIN
 <b>智信电子塑胶有限公司</b> ZHI XIN ELECTRONICS PLASTIC CO., LTD. TEL:0769-86389901-2 FAX:0769-86389903				DATE: 2006.09.11	DRAWING NO. ZXS-15G	REV. A01	