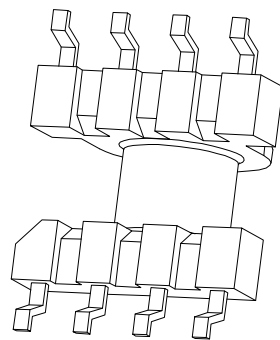
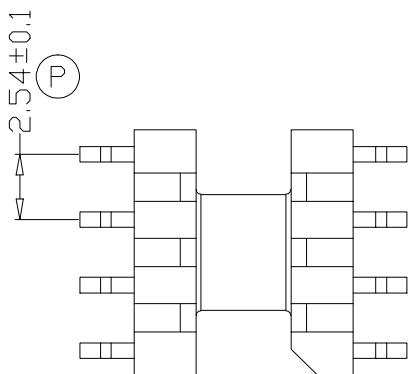
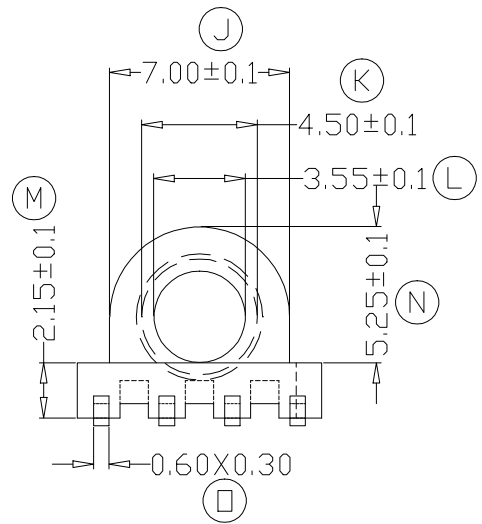
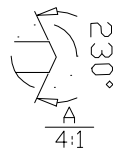
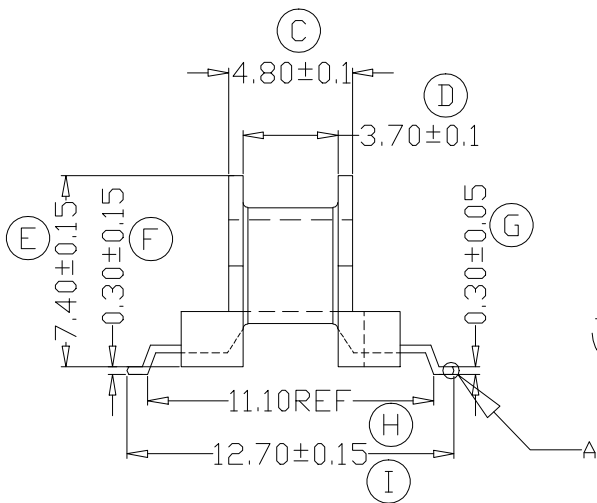
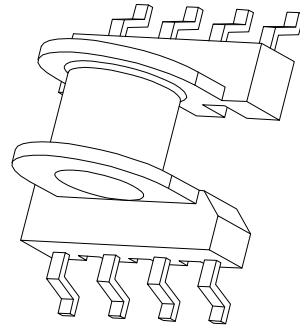
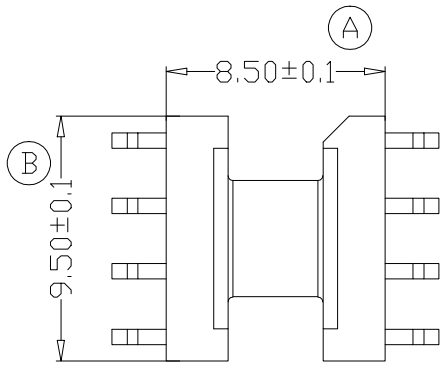


ZXS-7A



REV.	REVISIONS REC.		DATE	REV.	REVISIONS REC.		DATE
1				4			
2				5			
3				6			
DRAWN & DRAFTED BY	LIU WEI QIANG	TOLERANCES		ANGLE:	TITLE:		
CHECKED & APPROVED BY	MA BU JIAN	0<L≤4 ±0.1	pin pitch	±1°	EP-7(4+4P)	UL REC.	
		4<L≤16 ±0.2	±0.2	UNIT:	BOBBIN MATERIAL:	UL 94V-0	
		16<L≤63 ±0.3		MM	PM-9630	PIN TENSION LOAD:	1.0KG MIN
				SCALE:	PIN MATERIAL:	CP WIRE	
				DATE:	DRAWING NO.	ZXS-7A	REV. A01
				2013.06.09			



智信电子塑胶有限公司
ZHI XIN ELECTRONICS PLASTIC CO., LTD.
 TEL:0769-86389901-2 FAX:0769-86389903