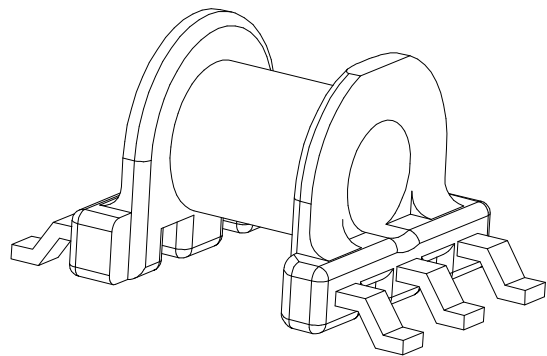
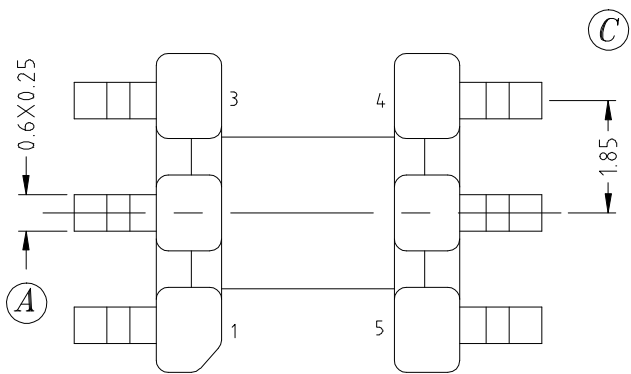
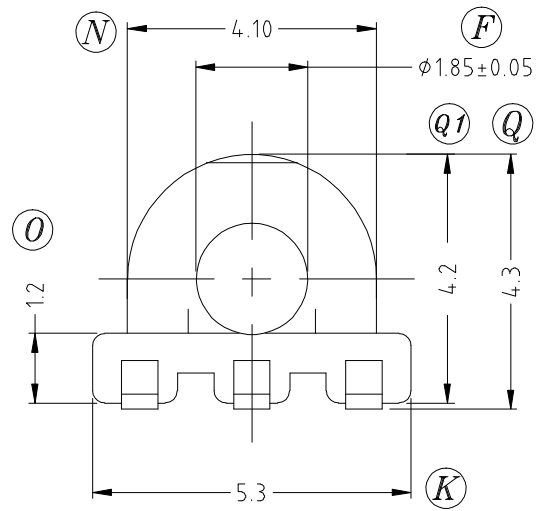
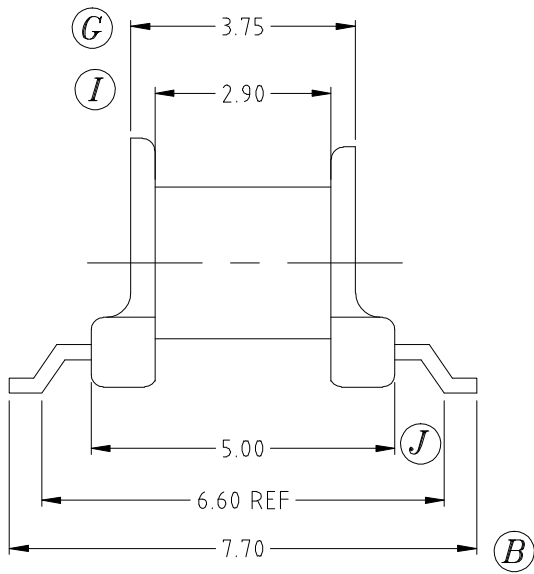
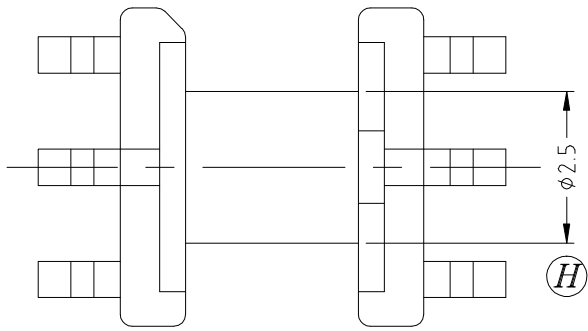


ZXS-5B

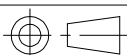


REV.	REVISIONS	REC.	DATE	REV.	REVISIONS	REC.	DATE
1				4			
2				5			
3				6			
DRAWN & DRAFTED BY		LIU WEI QIANG		TOLERANCES		ANGLE: $\pm 1^\circ$	
CHECKED & APPROVED BY		MA BU JIAN		pin pitch ± 0.2		TITLE: EP-5(3+3P)	
				UNIT: MM		BOBBIN MATERIAL: PM-9630	
				SCALE:		UL REC. UL 94V-0	
				DATE: 2013.07.27		PIN TENSION LOAD: 1.0KG MIN	
				DRAWING NO. ZXS-5B		REV. A01	



智信电子塑胶有限公司

ZHI XIN ELECTRONICS PLASTIC CO., LTD.
TEL:0769-86389901-2 FAX:0769-86389903



DATE: 2013.07.27

DRAWING NO. **ZXS-5B**

REV. **A01**