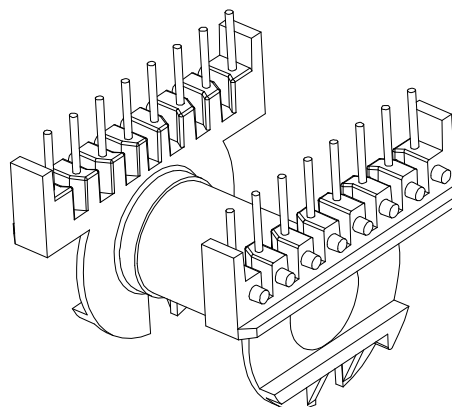
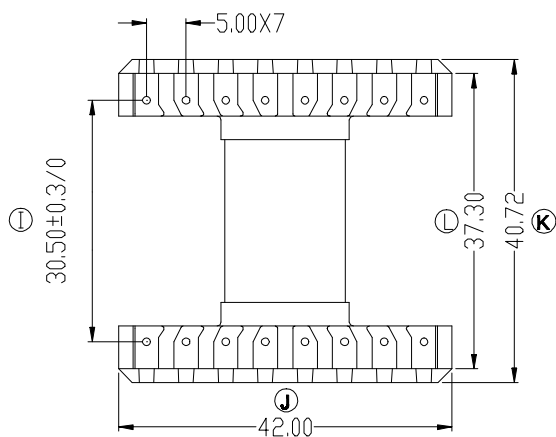
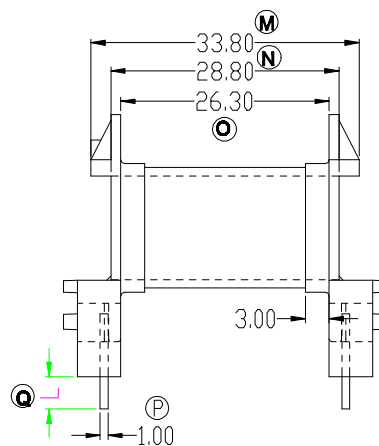
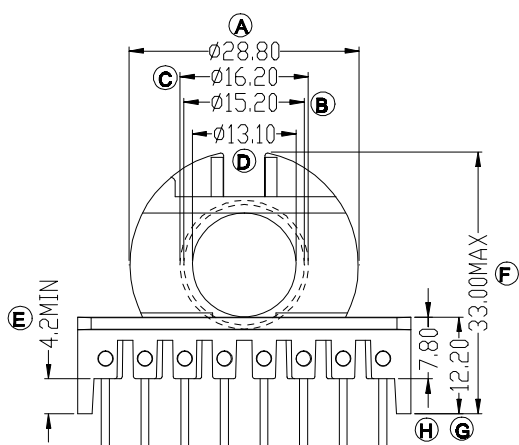
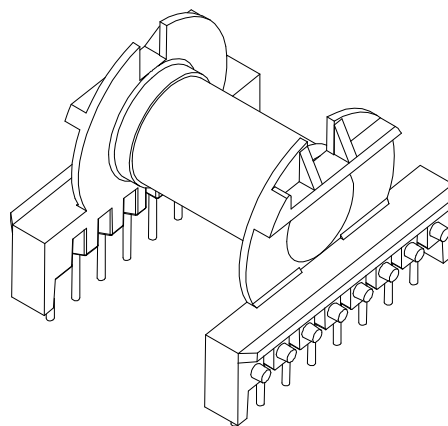
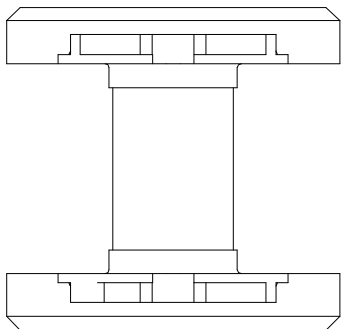


ZX-39G



REV.	REVISIONS REC.		DATE	REV.	REVISIONS REC.		DATE
1				4			
2				5			
3				6			
DRAWN & DRAFTED BY	LIU WEI QIANG	TOLERANCES		ANGLE:	TITLE: ER-39(8+8P)		
CHECKED & APPROVED BY	ZHANG YONG	0$L \le 4$ ± 0.1	pin pitch	$\pm 1^\circ$	BOBBIN MATERIAL:	PHENOLIC	UL REC. UL 94V-0
		4$L \le 16$ ± 0.2	± 0.2	UNIT:	MM	PIN MATERIAL:	CP WIRE
		16$L \le 63$ ± 0.3		SCALE:		PIN TENSION LOAD:	1.5KG MIN
智信电子塑胶有限公司 ZHI XIN ELECTRONICS PLASTIC CO., LTD. TEL:0769-86389901-2 FAX:0769-86389903				DATE:	2018.12.08	DRAWING NO.	ZX-39G
						REV.	A01