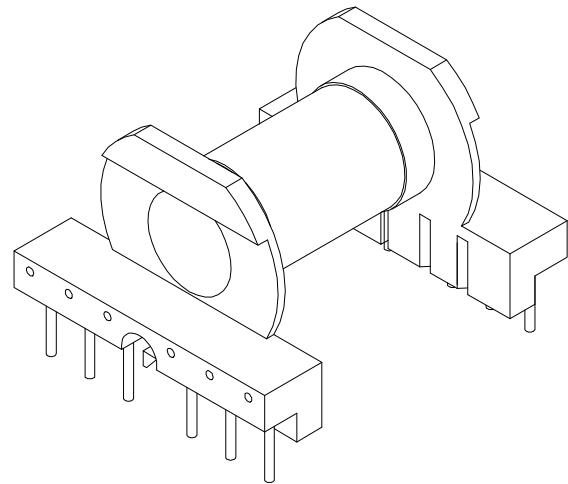
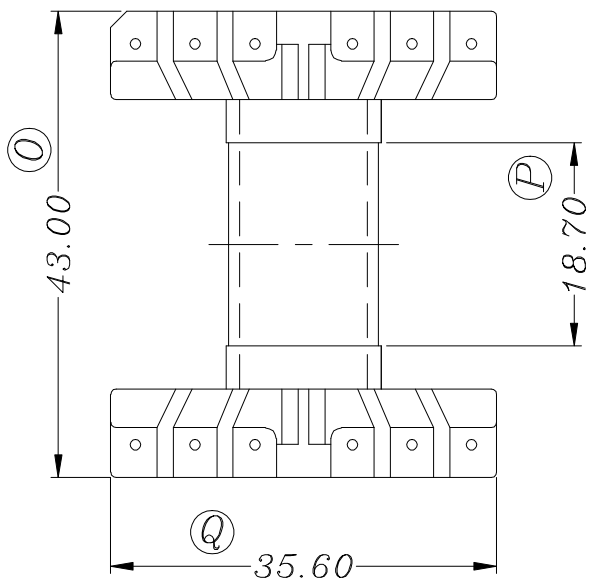
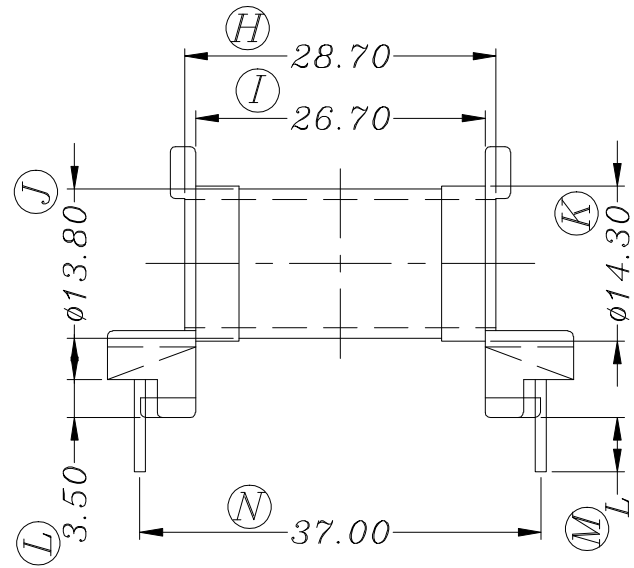
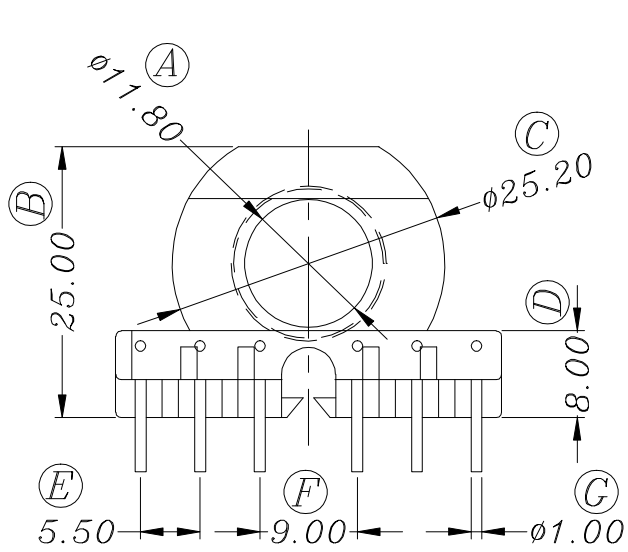


ZX-35Q

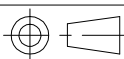


REV.	REVISIONS REC.		DATE	REV.	REVISIONS REC.		DATE
1				4			
2				5			
3				6			
DRAWN & DRAFTED BY		LIU WEI QIANG	TOLERANCES		ANGLE:		TITLE:
CHECKED & APPROVED BY		MA BU JIAN	0 < L ≤ 4 ±0.1	pin pitch ±0.2	±1°		ER-35 (6+6P)
			4 < L ≤ 16 ±0.2		UNIT:	BOBBIN MATERIAL:	
			16 < L ≤ 63 ±0.3	MM	PLASTIC	UL 94V-0	
				SCALE:	PIN MATERIAL:	PIN TENSION LOAD:	
					CP WIRE	1.6KG MIN	
					DATE:	DRAWING NO.	REV.
					2007.05.08	ZX-35Q	A01



智信电子塑胶有限公司

ZHI XIN ELECTRONICS PLASTIC CO., LTD.
TEL:0769-86389901-2 FAX:0769-86389903



DATE: 2007.05.08

DRAWING NO. ZX-35Q

REV. A01