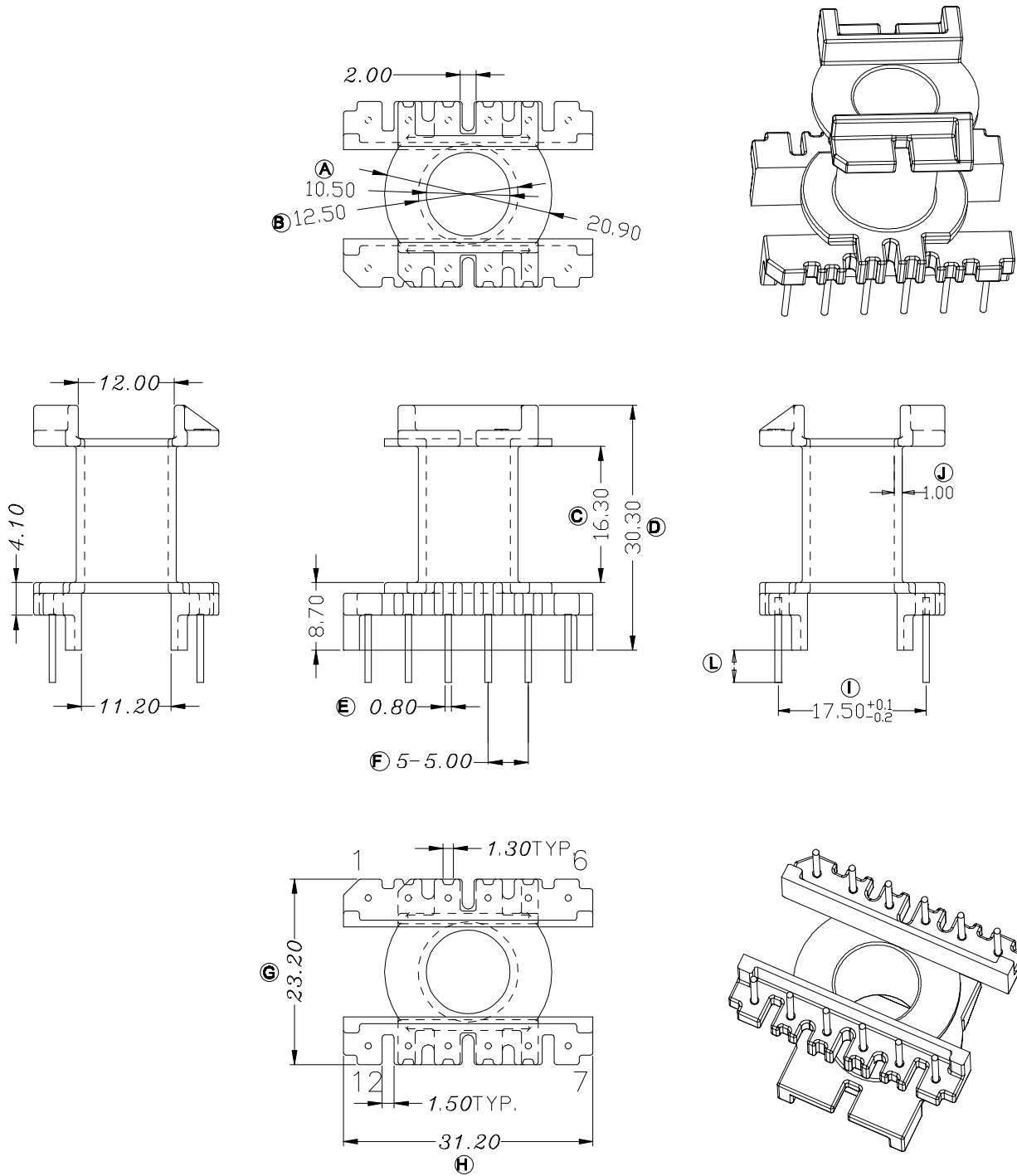


ZX-28AI



REV.	REVISIONS	REC.	DATE	REV.	REVISIONS	REC.	DATE	
1				4				
2				5				
3				6				
DRAWN & DRAFTED BY	LIU WEI QIANG	TOLERANCES		ANGLE:	TITLE: ER-28(6+6P)			
CHECKED & APPROVED BY	ZHANG YONG	0<L≤4 ±0.1	pin pitch ±0.2	UNIT:	BOBBIN MATERIAL:	UL REC. UL 94V-0		
		4<L≤16 ±0.2		MM	PHENOLIC			
		16<L≤63 ±0.3		SCALE:	PIN MATERIAL:	PIN TENSION LOAD: 1.5KG MIN		
					CP WIRE			
智信电子塑胶有限公司 ZHI XIN ELECTRONICS PLASTIC CO., LTD. TEL:0769-86389901-2 FAX:0769-86389903				DATE:	2018.12.08	DRAWING NO.	ZX-28AI	REV. A01