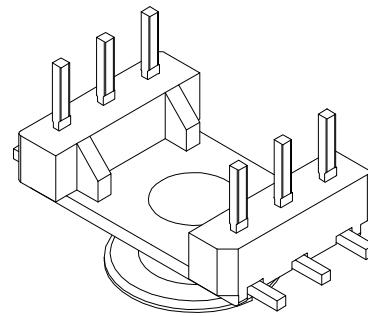
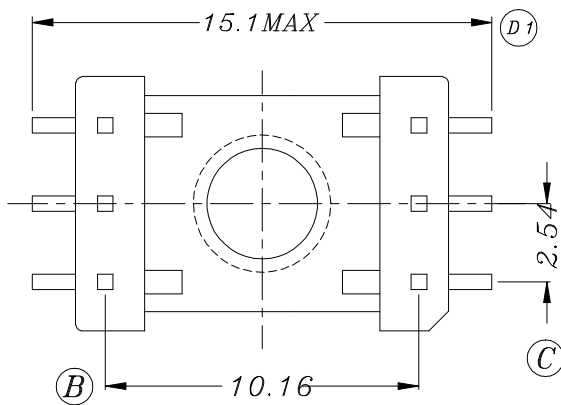
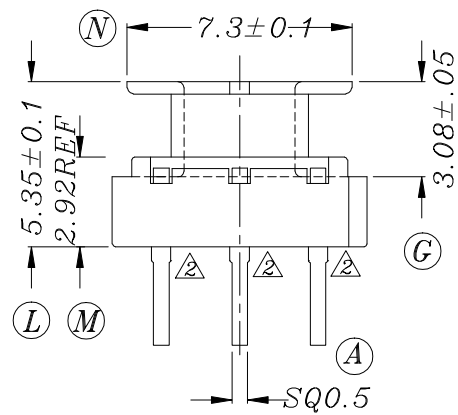
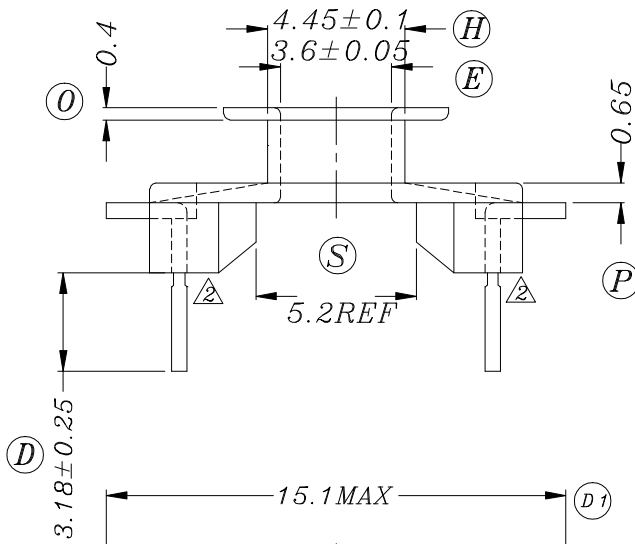
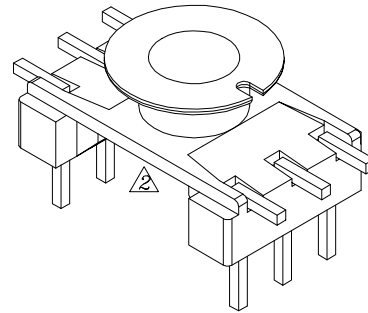
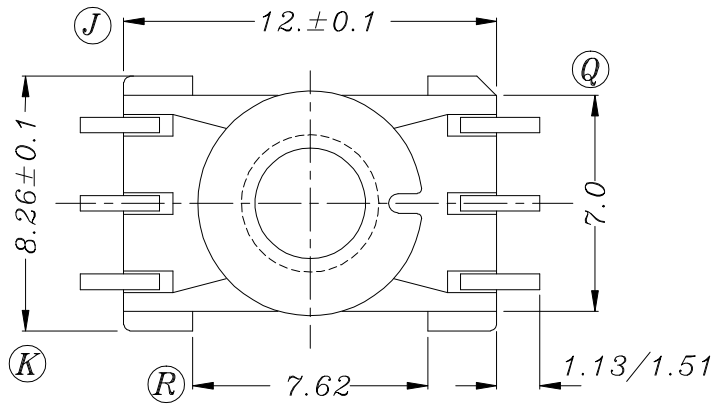


ZX-9.5B



REV.	REVISIONS REC.		DATE	REV.	REVISIONS REC.		DATE
1				4			
2				5			
3				6			
DRAWN & DRAFTED BY		LIU WEI QIANG		TOLERANCES		ANGLE: ±1°	
CHECKED & APPROVED BY		MA BU JIAN		0 < L ≤ 4 ±0.1		pin pitch ±0.2	
				4 < L ≤ 16 ±0.2		UNIT: MM	
				16 < L ≤ 63 ±0.3		BOBBIN MATERIAL: LCP E4008	
				SCALE:		UL REC. UL 94V-0	
				DATE: 2007.05.06		PIN TENSION LOAD: 0.8KG MIN	
				DRAWING NO. ZX-9.5B		REV. A01	



智信电子塑胶有限公司
 ZHI XIN ELECTRONICS PLASTIC CO., LTD.
 TEL:0769-86389901-2 FAX:0769-86389903

